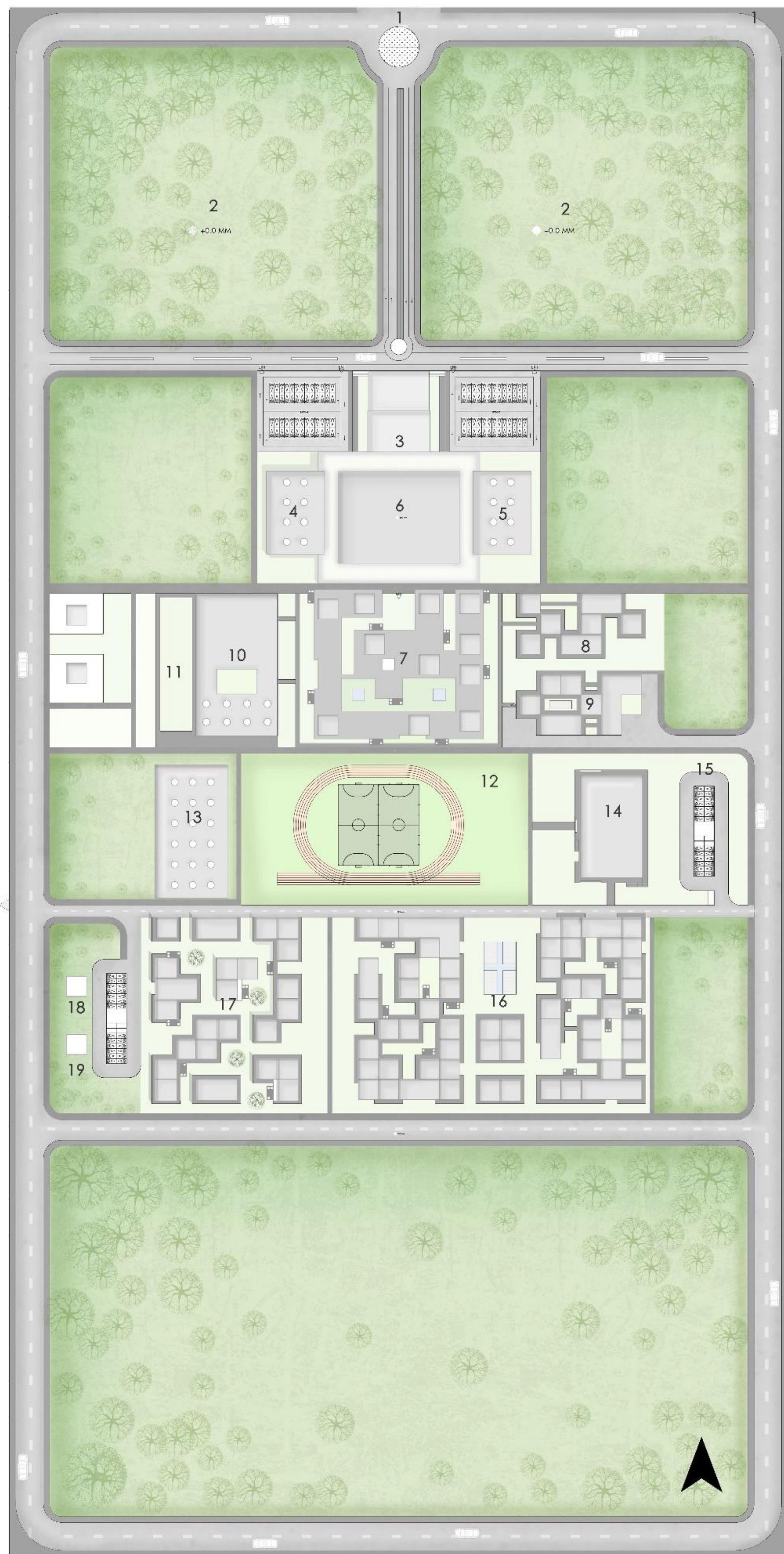


LEGGOVILLE

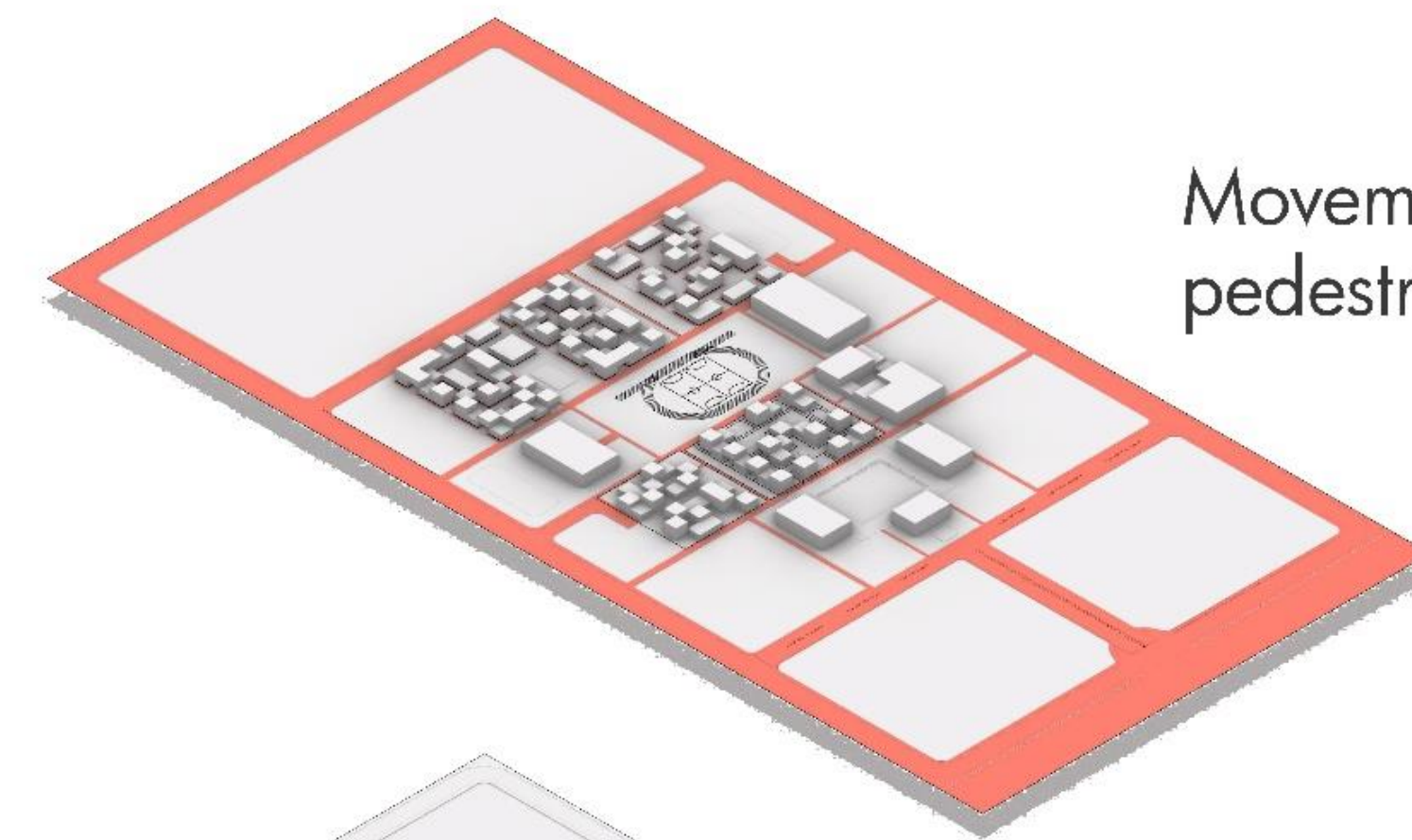




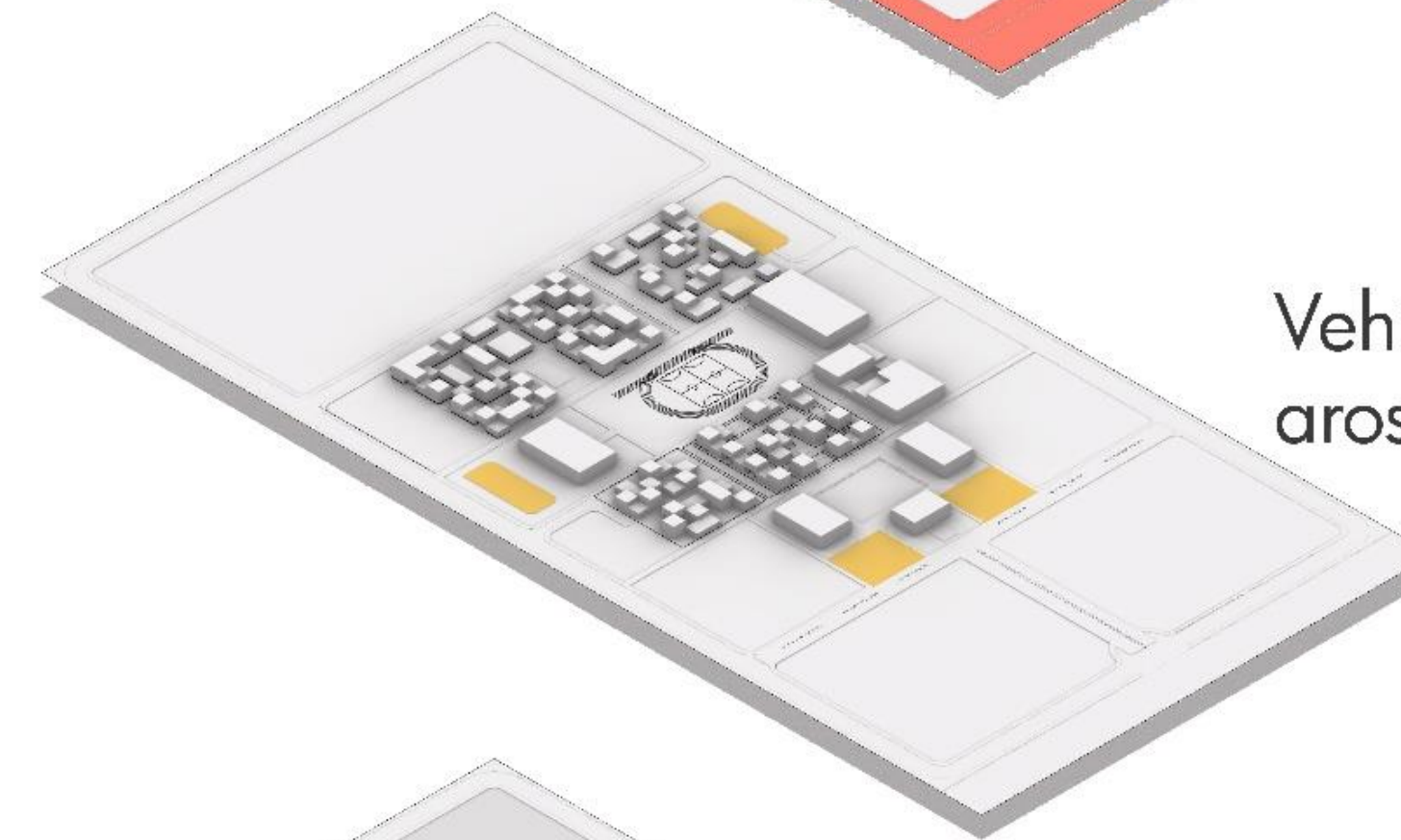
SITE: Gurgaon, Haryana
AREA: 73 acres
CLIMATE: Local steppe with little rainfall
CONTEXT: Highway to the north, water body to the east and barren land on west and south.

LEGEND

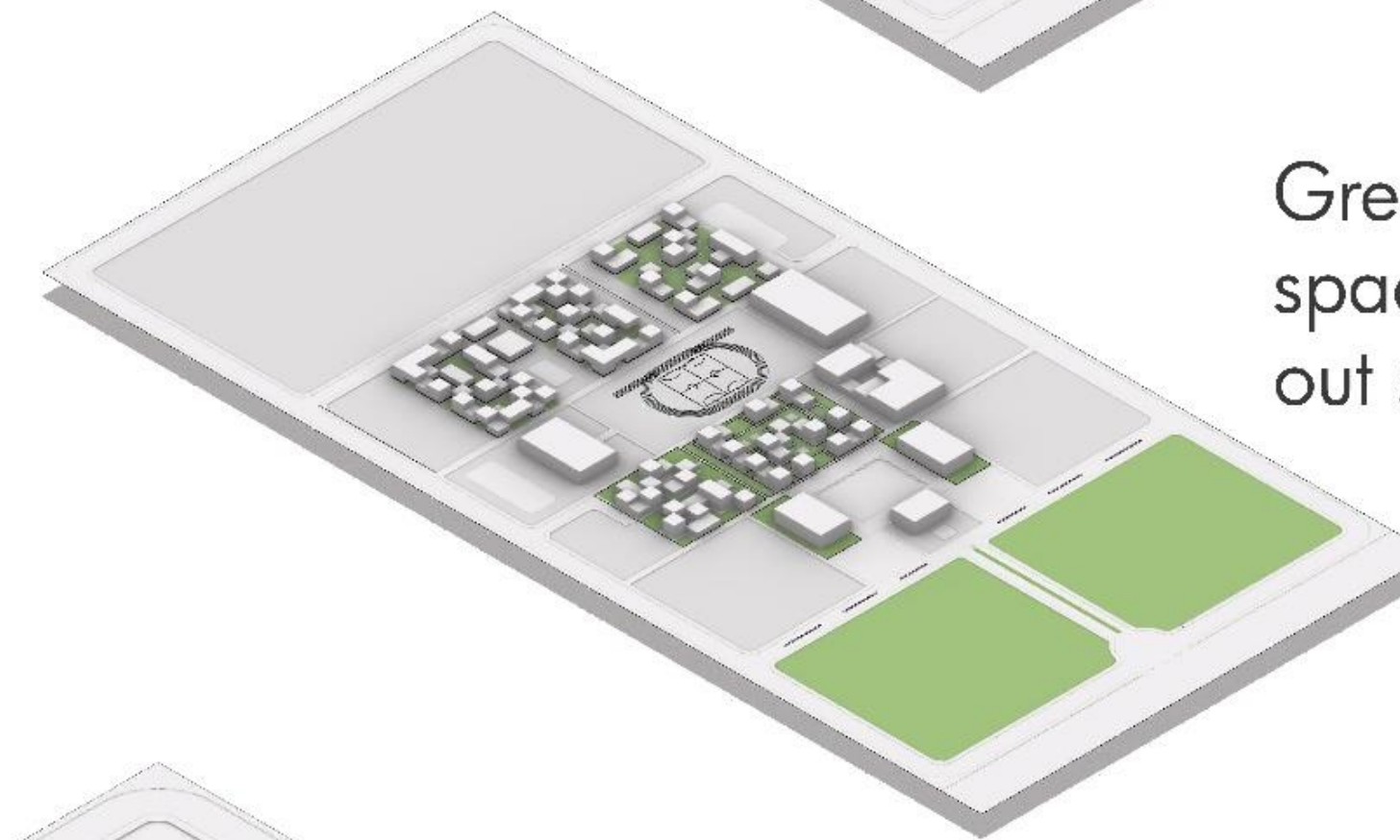
1. Tree Buffer
2. Parking
3. Admin Room
4. Auditorium
5. Assembly hall
6. Open amphitheatre
7. Classrooms and activity spaces
8. Library
9. Dining
10. Sports Centre
11. Open Ground
12. Running Track
13. Swimming Pool
14. Medical Centre
15. Parking
16. Staff Housing
17. Student staying quarters
18. Electric Transformer
19. Sewage treatment plant, sump



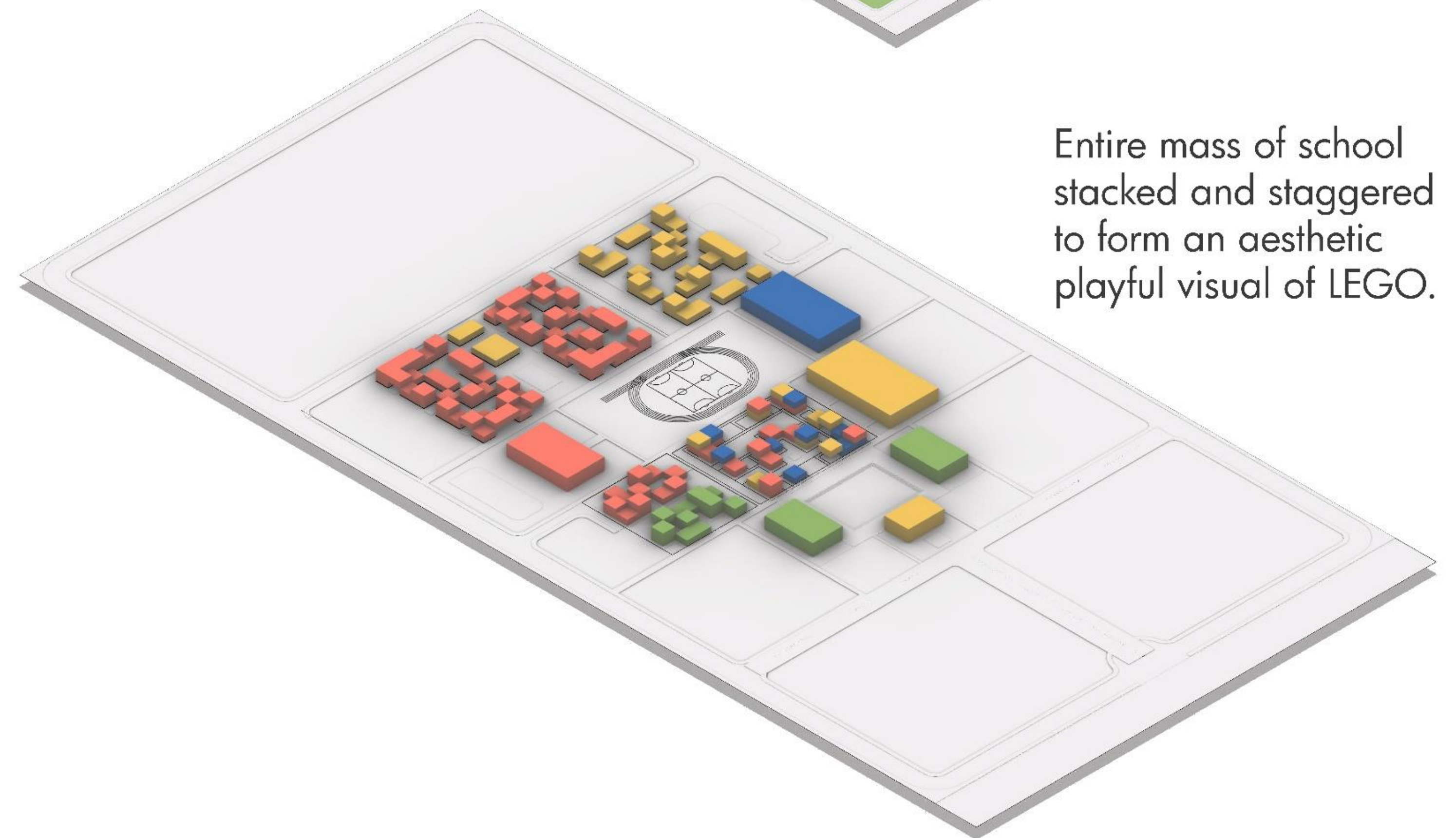
Movement across the site, pedestrian and vehicular



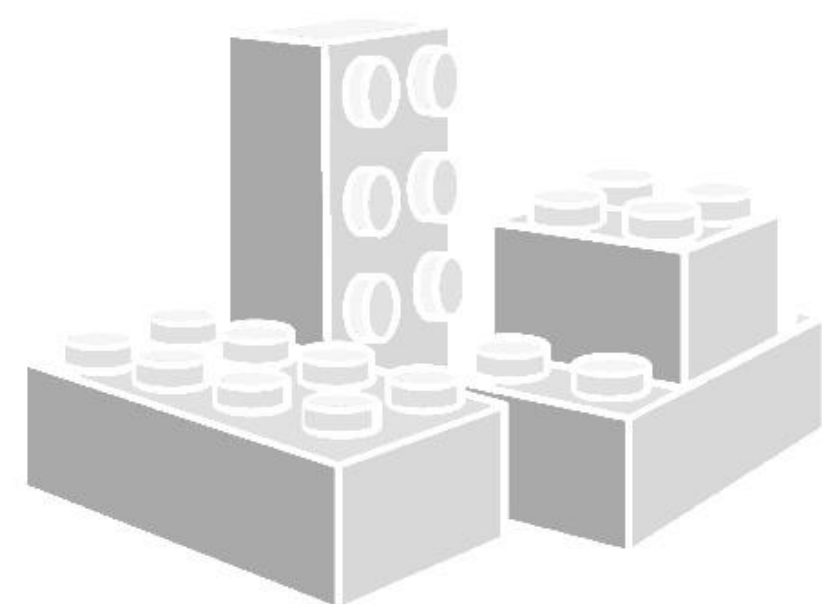
Vehicular parking across the site.



Green intermediate spaces, increasing spill out spaces



Entire mass of school stacked and staggered to form an aesthetic playful visual of LEGO.



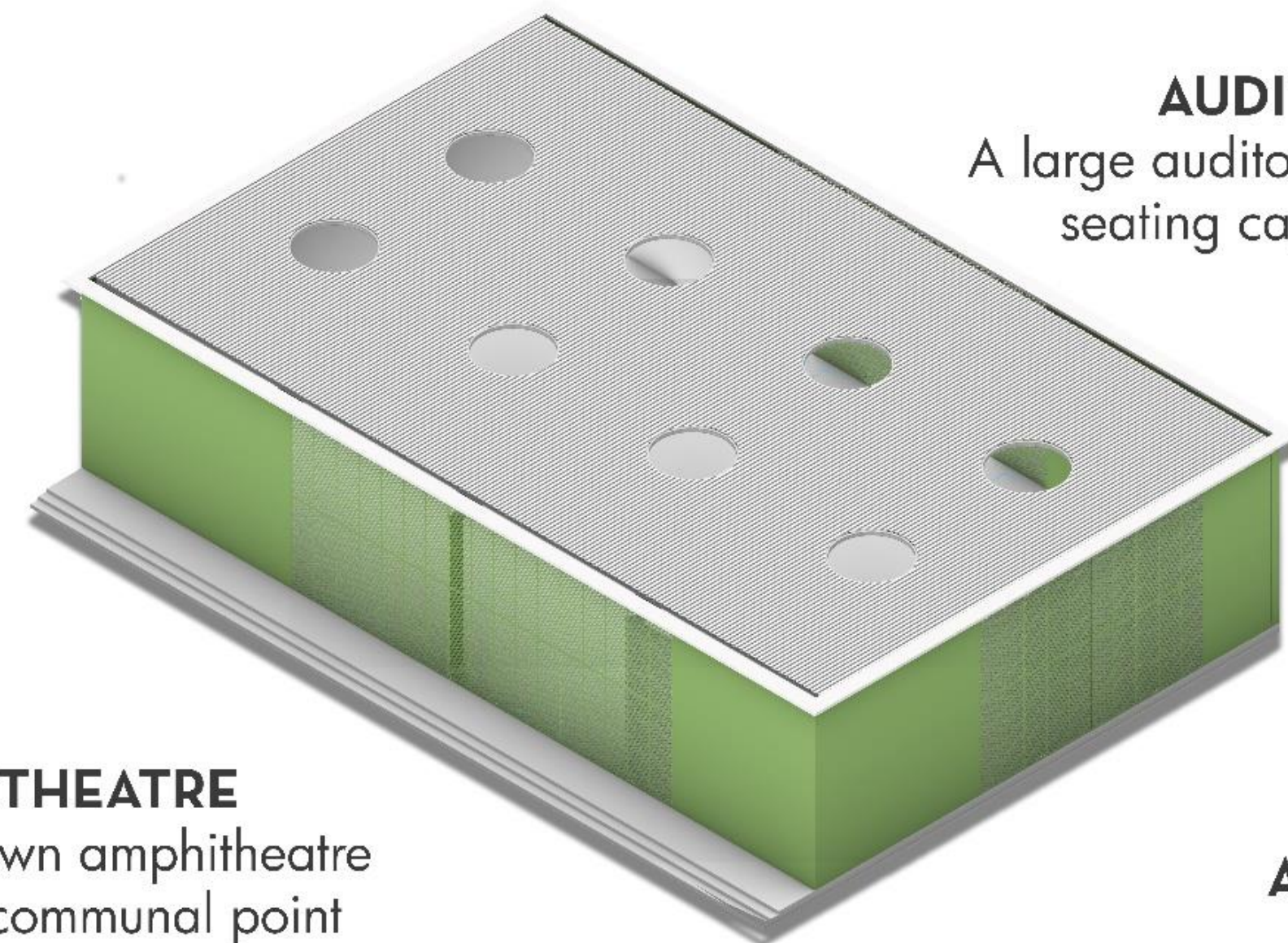
MASTERPLAN AND CONCEPT



VIEW OF THE ENTRANCE

LEGEND

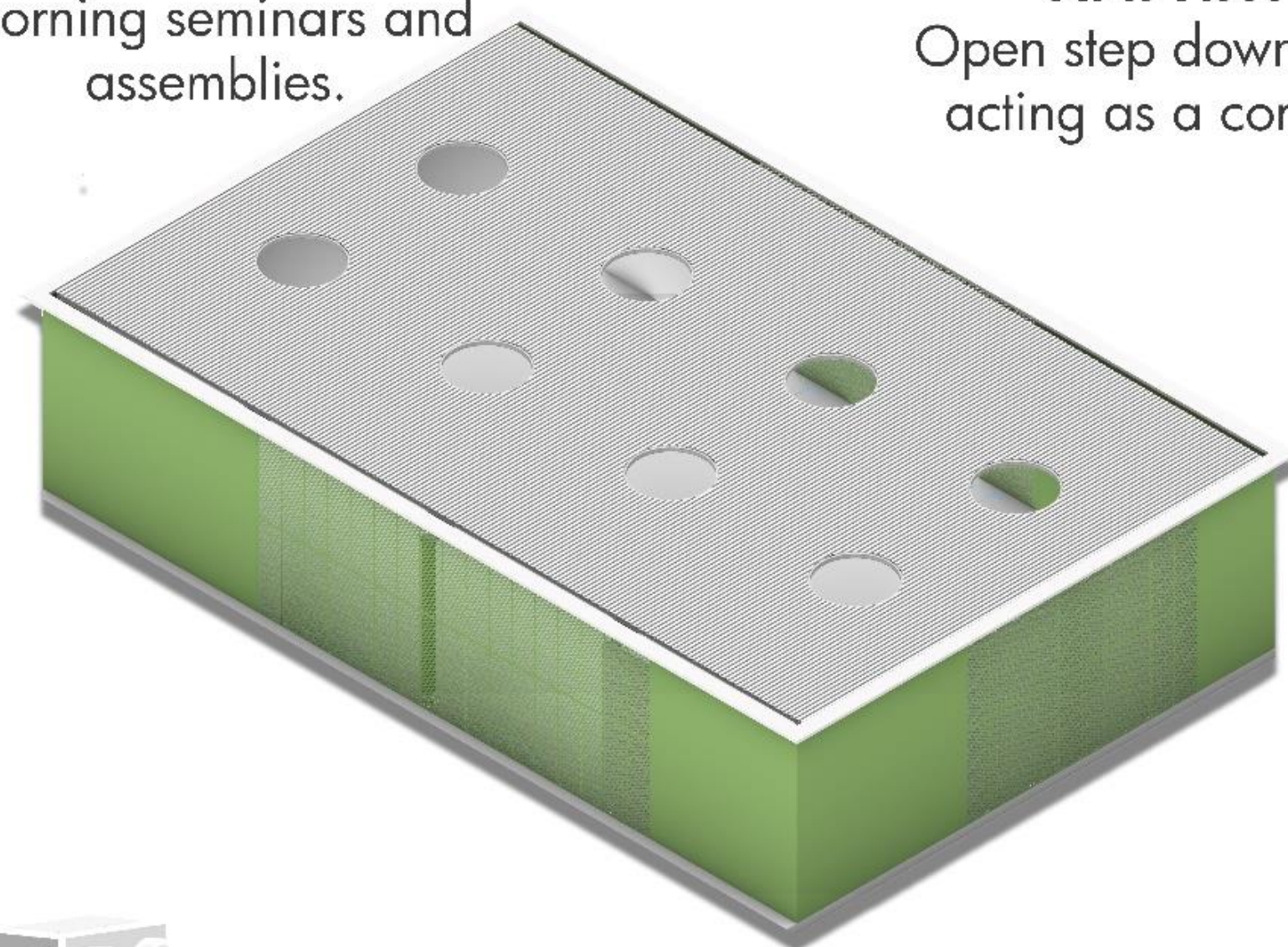
- 1. Entrance Drop Off
- 2. Administration Office
- 3. Parking
- 4. Auditorium
- 5. Entry Lounge
- 6. Green Rooms
- 7. Assembly hall
- 8. Space Frame Courtyard Canopy
- 9. Amphitheatre
- 10. Open Lawn Area



AUDITORIUM
A large auditorium space with a seating capacity of 400

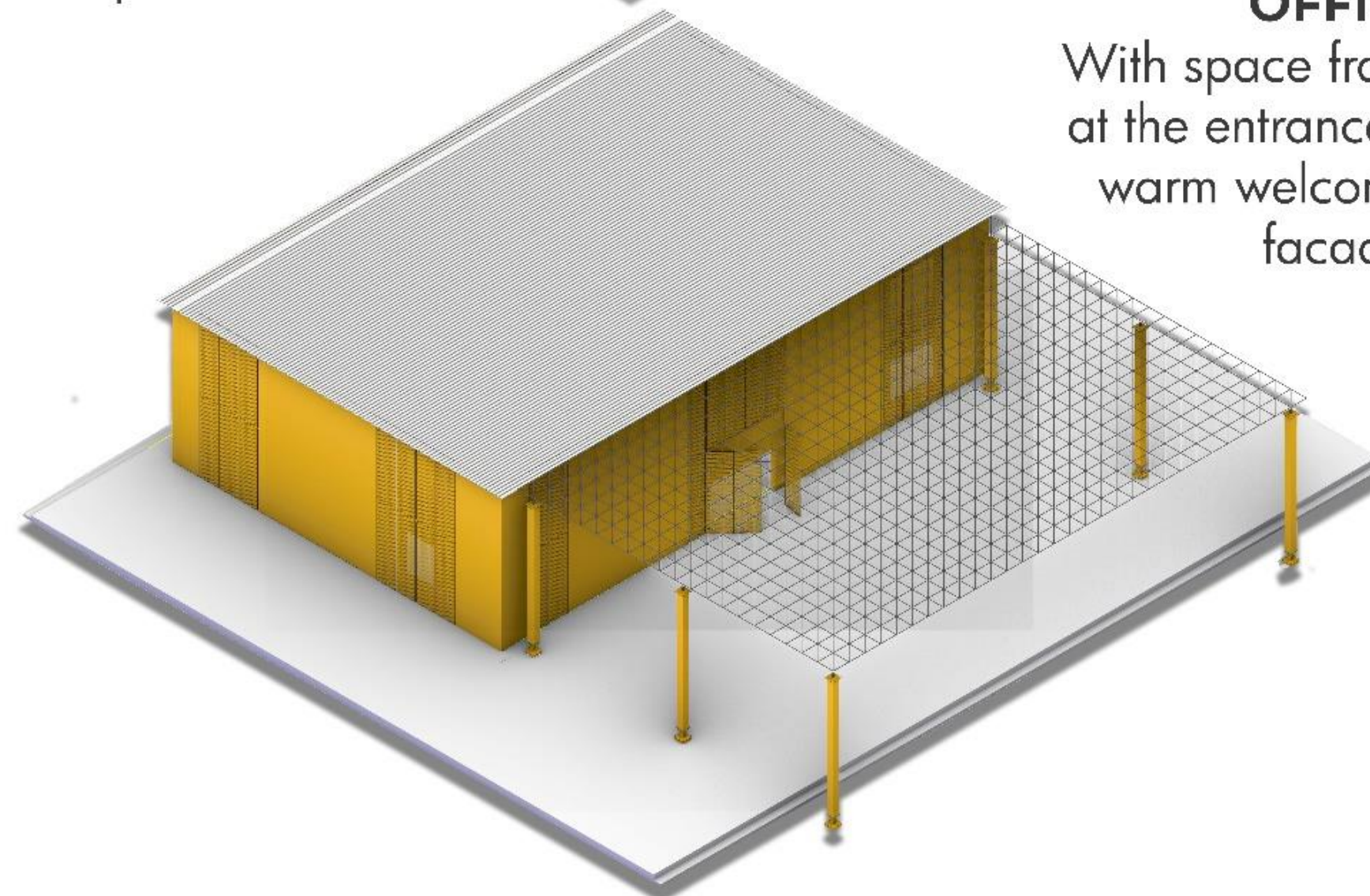
ASSEMBLY HALL

Assembly hall for morning seminars and assemblies.



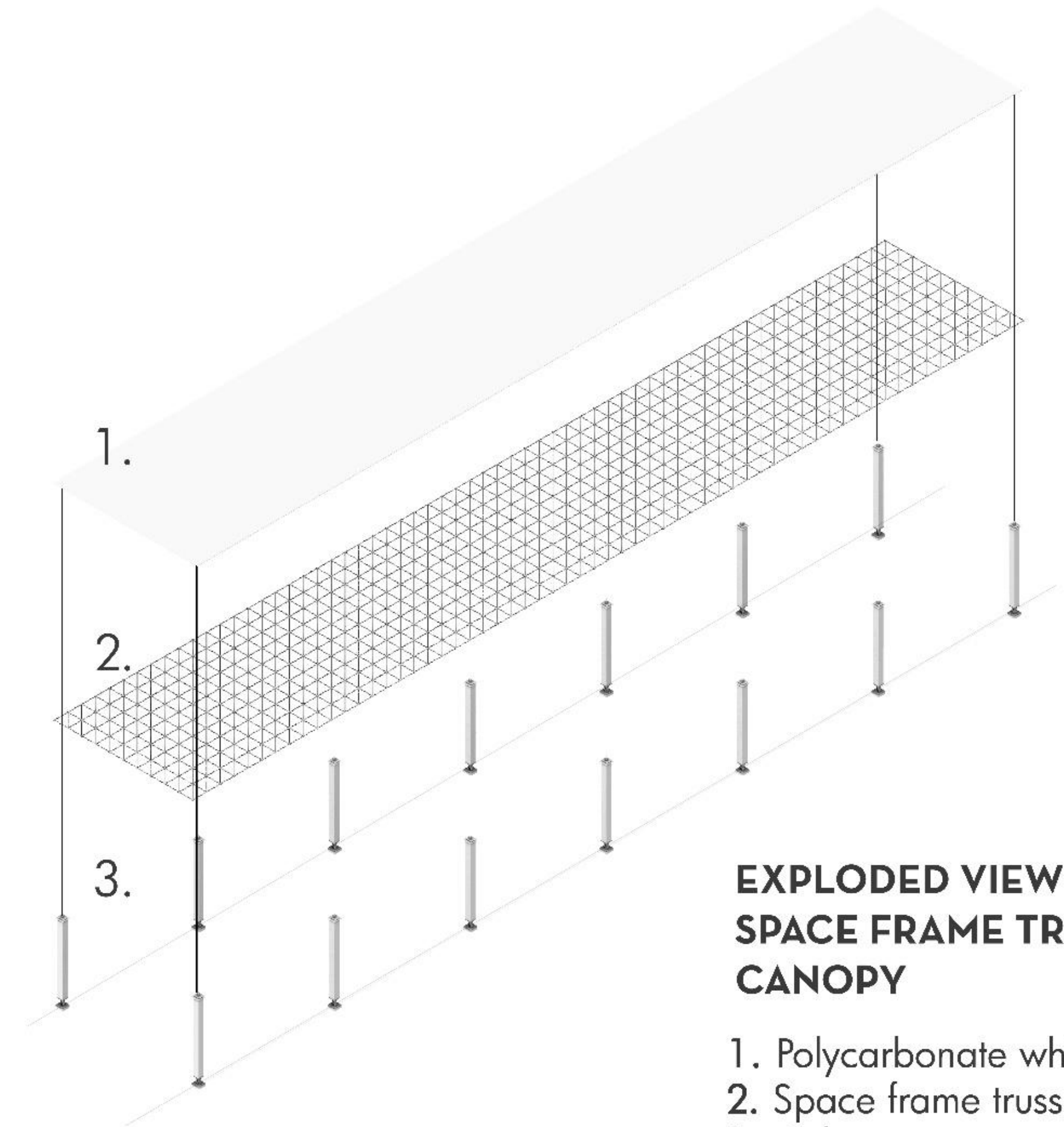
AMPHITHEATRE

Open step down amphitheatre acting as a communal point



ADMINISTRATION OFFICE

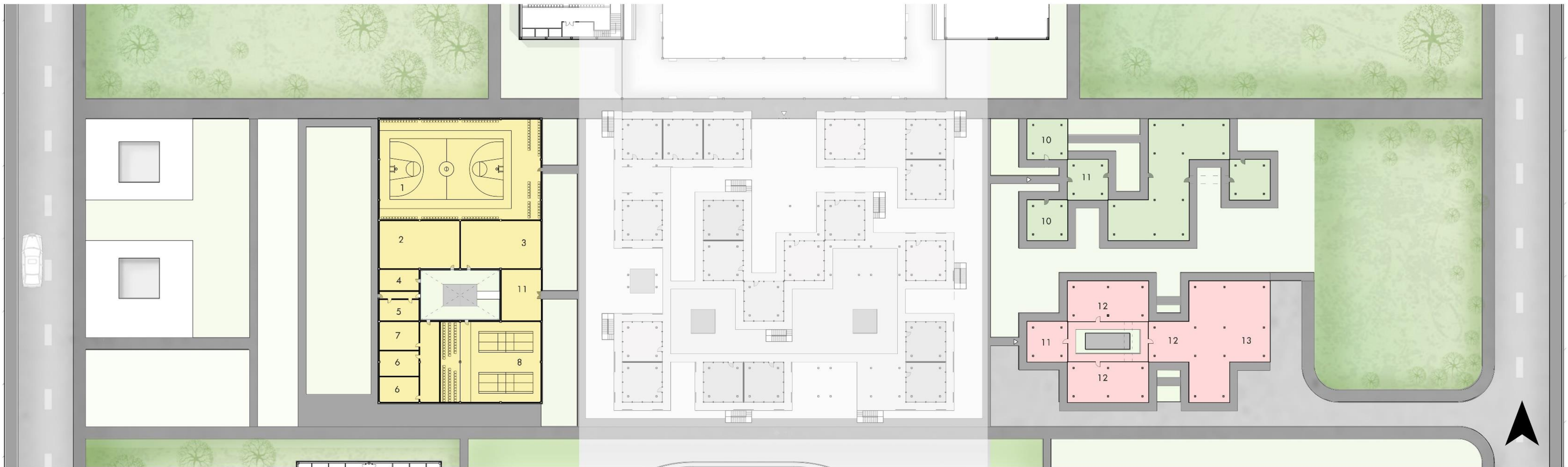
With space frame canopy at the entrance, it forms a warm welcoming entry facade.



EXPLODED VIEW OF SPACE FRAME TRUSS CANOPY

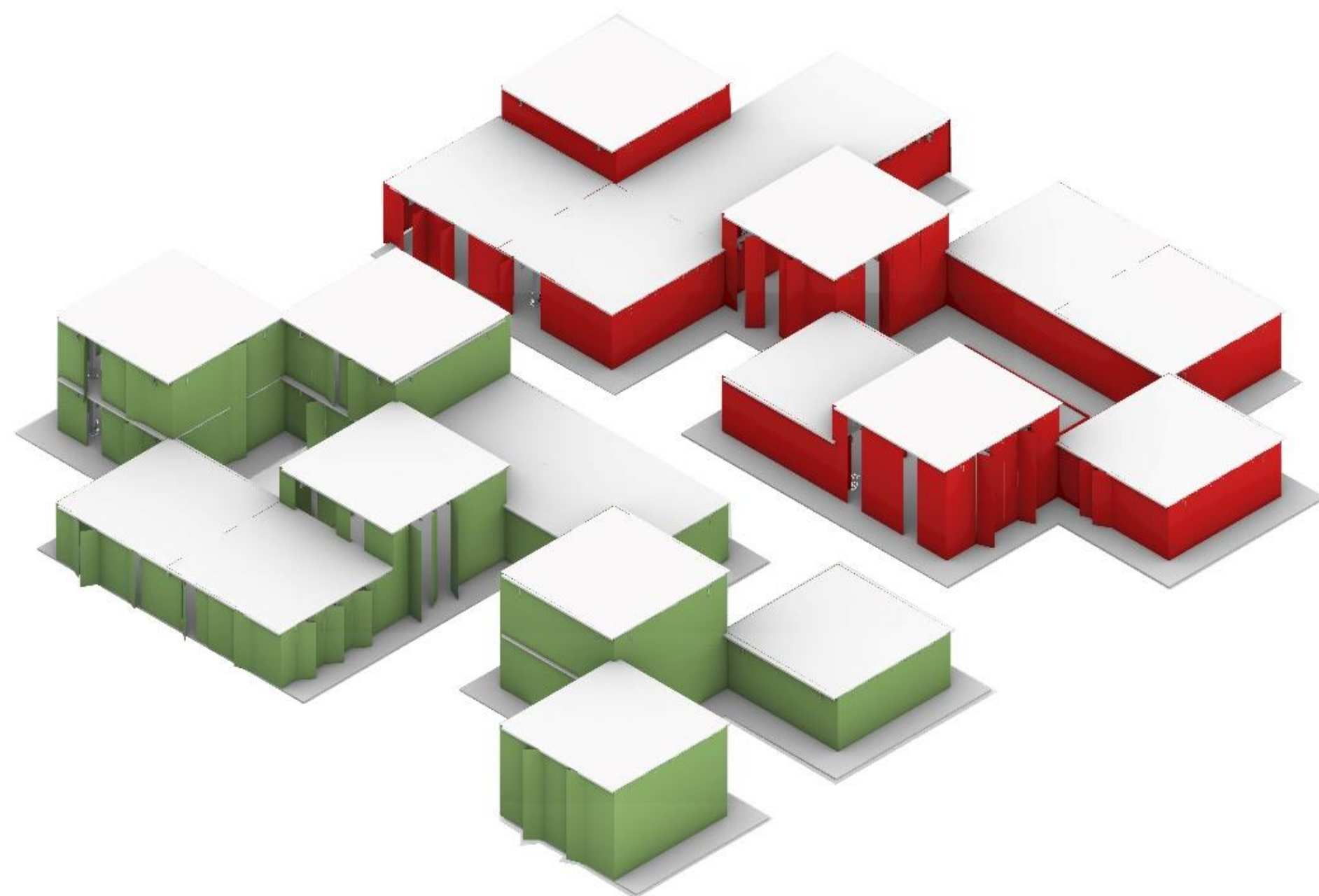
- 1. Polycarbonate white sheet
- 2. Space frame truss
- 3. Column: Box section with pinned joint

ENTRANCE, ADMINISTRATION AND ASSEMBLY ZONE



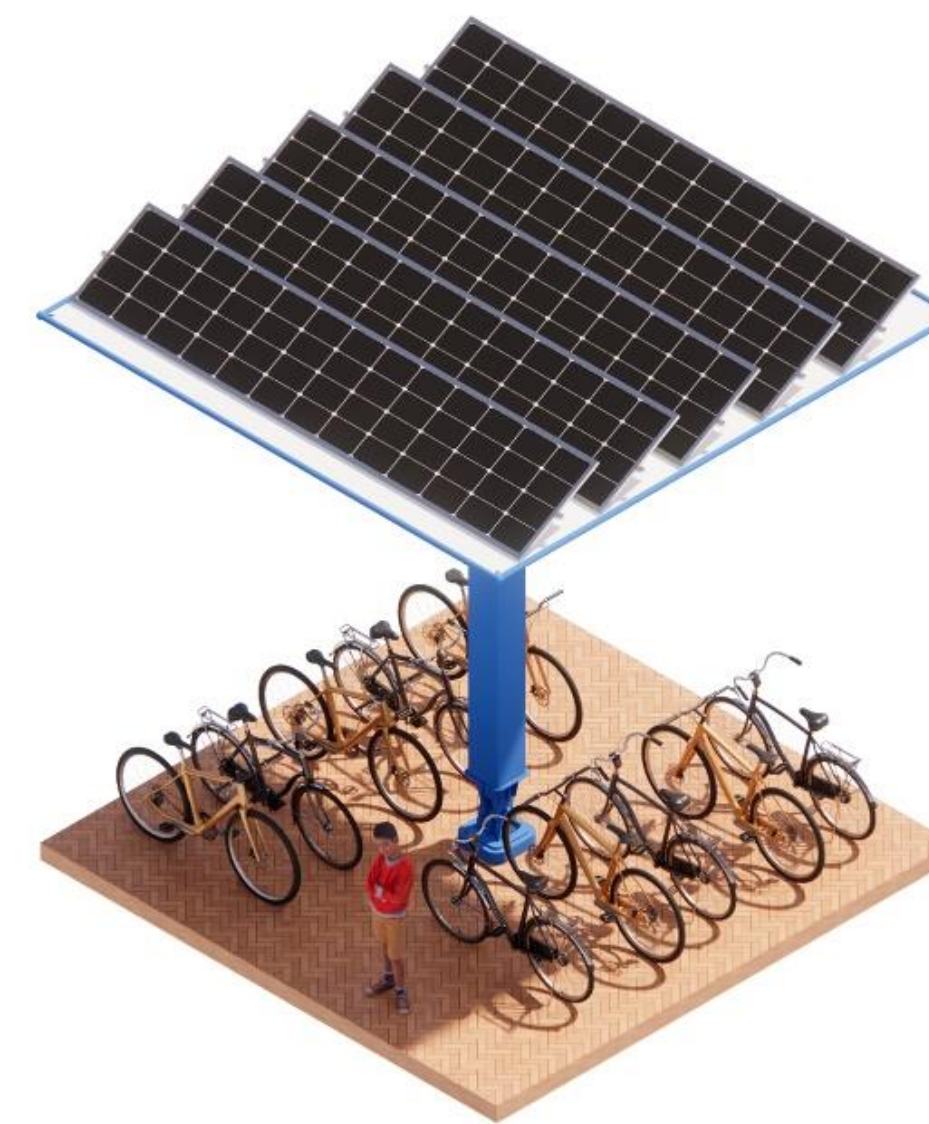
LEGEND

- 1. Basketball Court
- 2. Games Room
- 3. Gym
- 4. Medical
- 5. Toilet
- 6. Squash
- 7. Table Tennis
- 8. Badminton Court
- 9. Library
- 10. Online Study Spaces
- 11. Reception
- 12. Segregated dining spaces
- 13. Kitchen



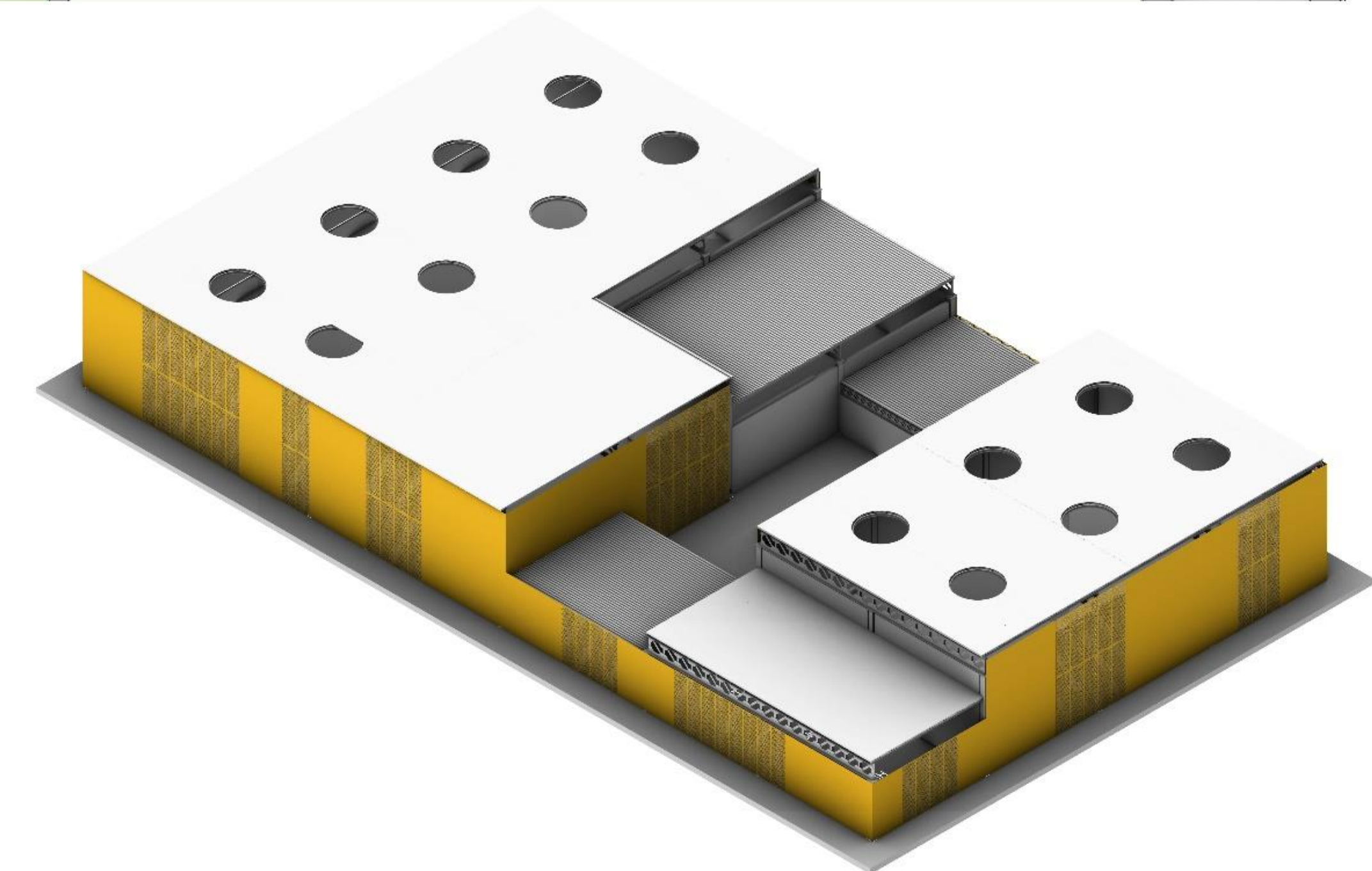
LIBRARY AND DINING

Library has been given individual online study spaces to cater to hybrid study system. Kitchen and dining could be split and staggered to distribute masses to more serving stations to avoid crowding at one destination.



BICYCLE PARKING MODULE

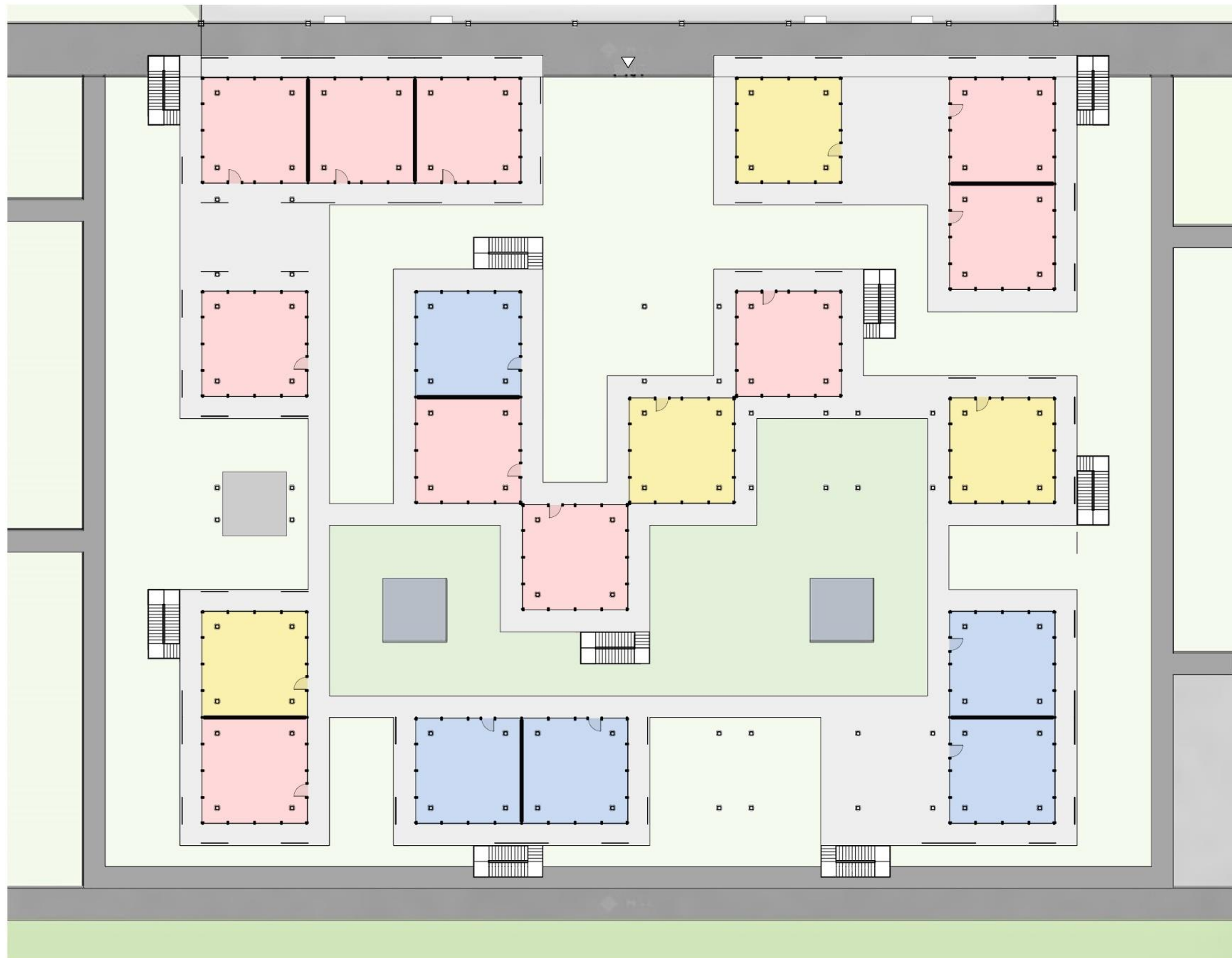
On site cycle pick up and drop point stations have been provided encouraging green commute across the span of the entire site allowing students to ride bicycles to move around the different zones of the site. This also helps save time while moving to and fro from different areas of the time.



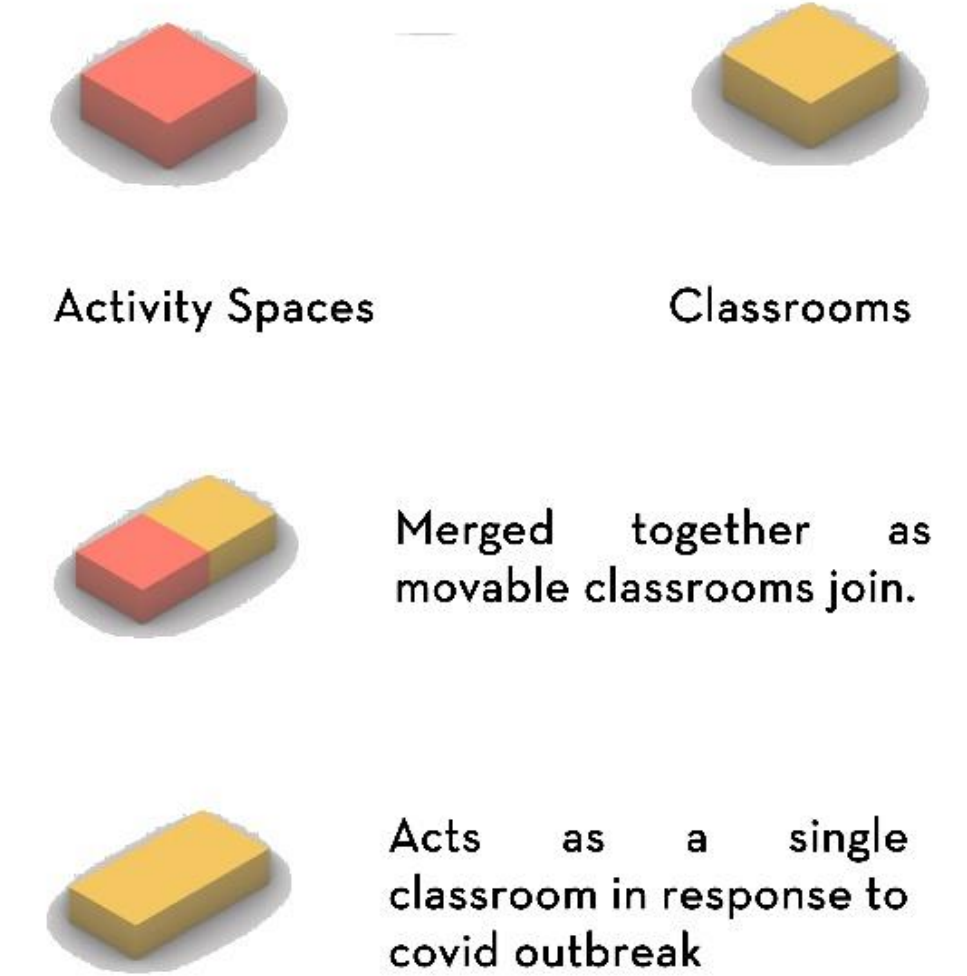
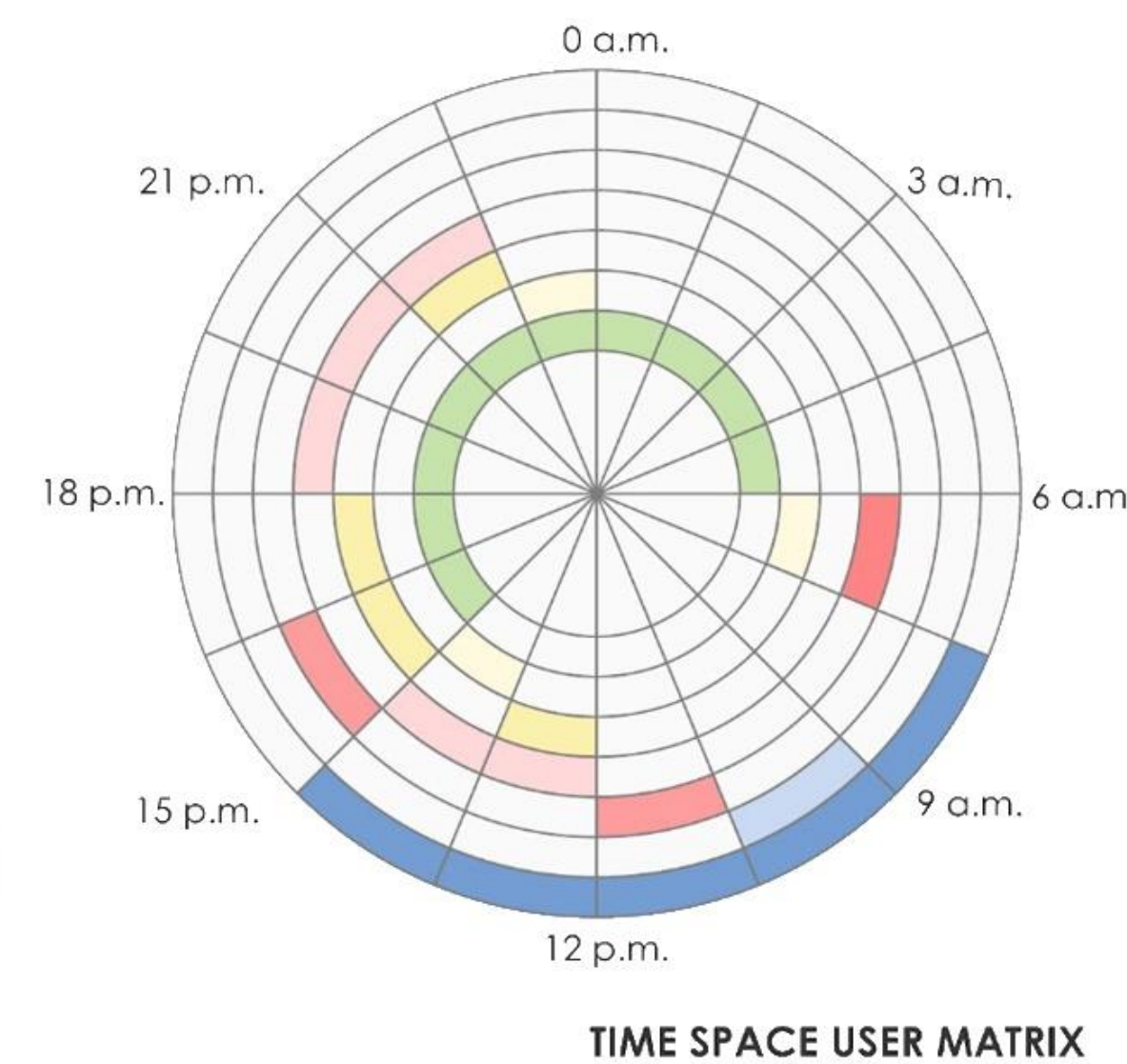
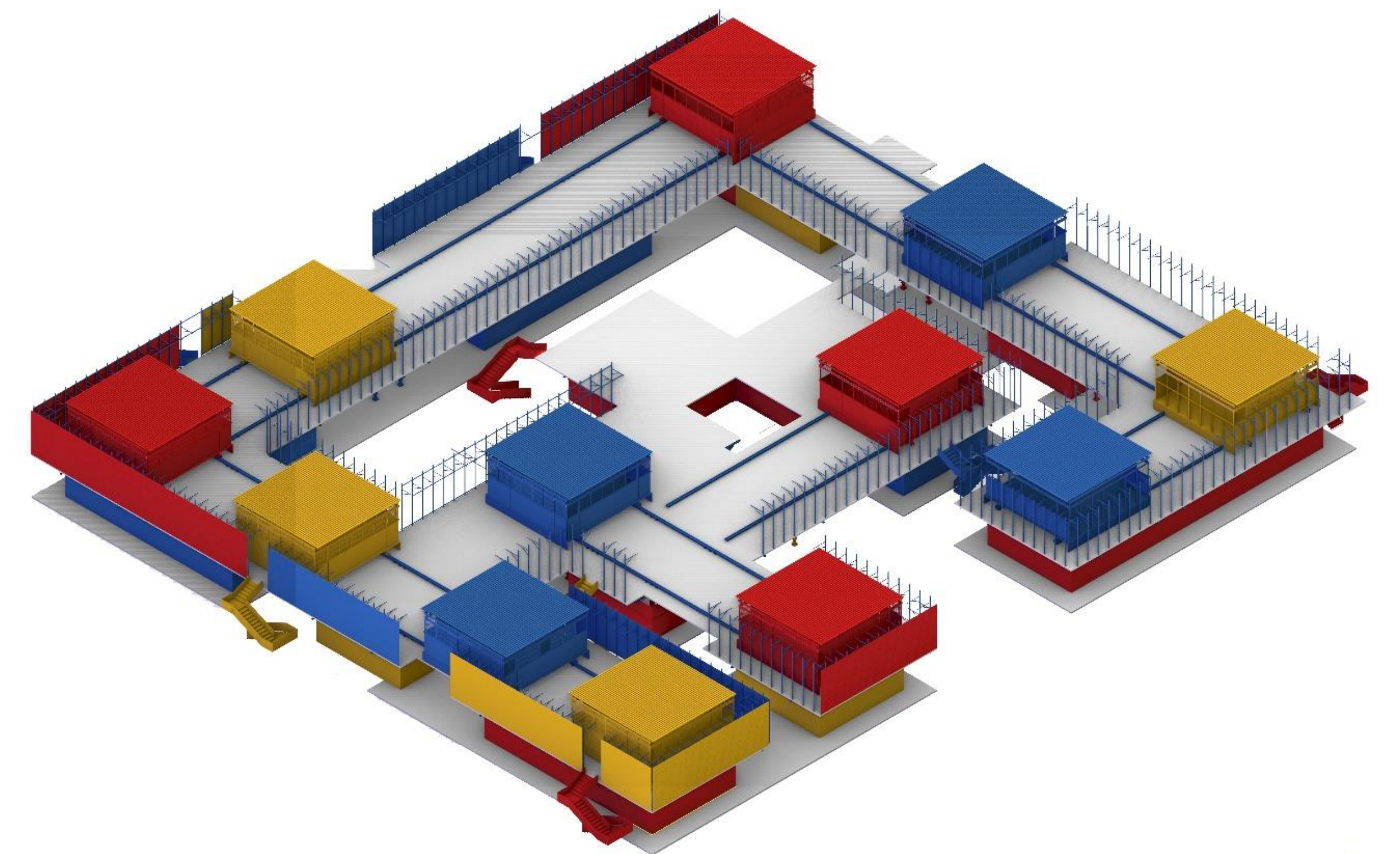
SPORTS CENTRE

Sports centre is a huge complex offering multiple sport activities for activity period of the students in terms of their physical education.

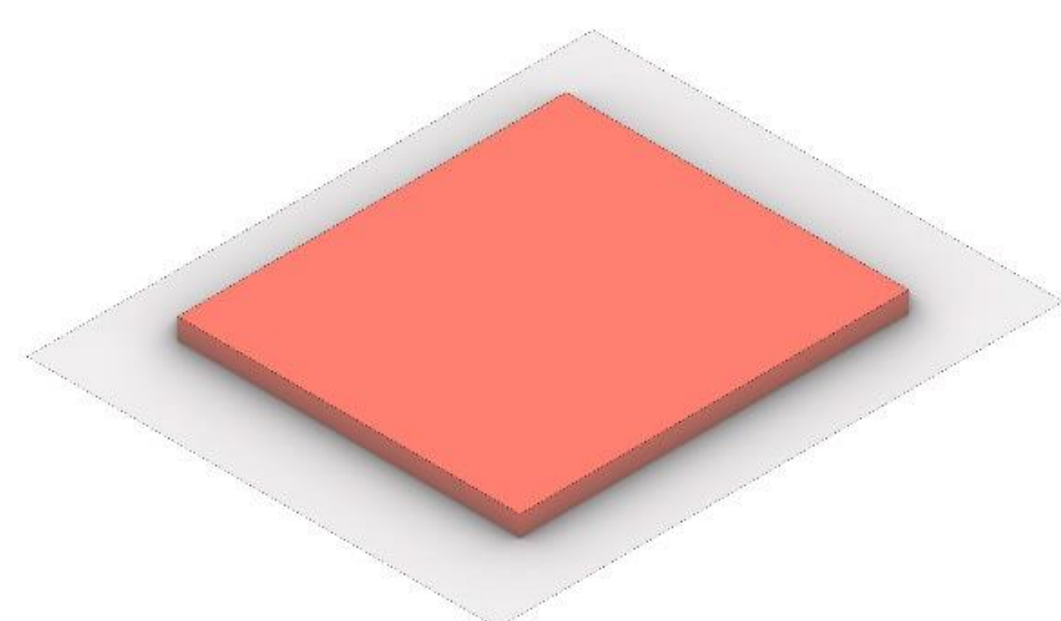
SPORTS, DINING AND LIBRARY ZONE



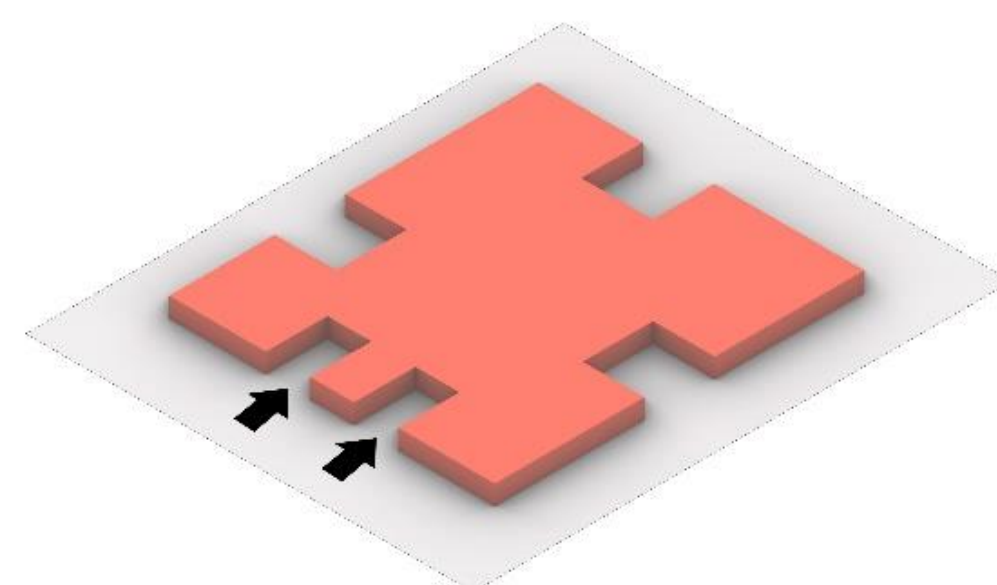
Entire region comprises of two classes of each 5, 6, 7, 8, 9, 10th standard and activity spaces such as dance, music, workshop spaces, art and sculpture, robotics, home science, labs, etc. Along with these spaces there are 2 staffrooms and service cores provided in the centre of the zone. Courtyards and water bodies have been provided amidst the entire cluster providing cool surroundings.



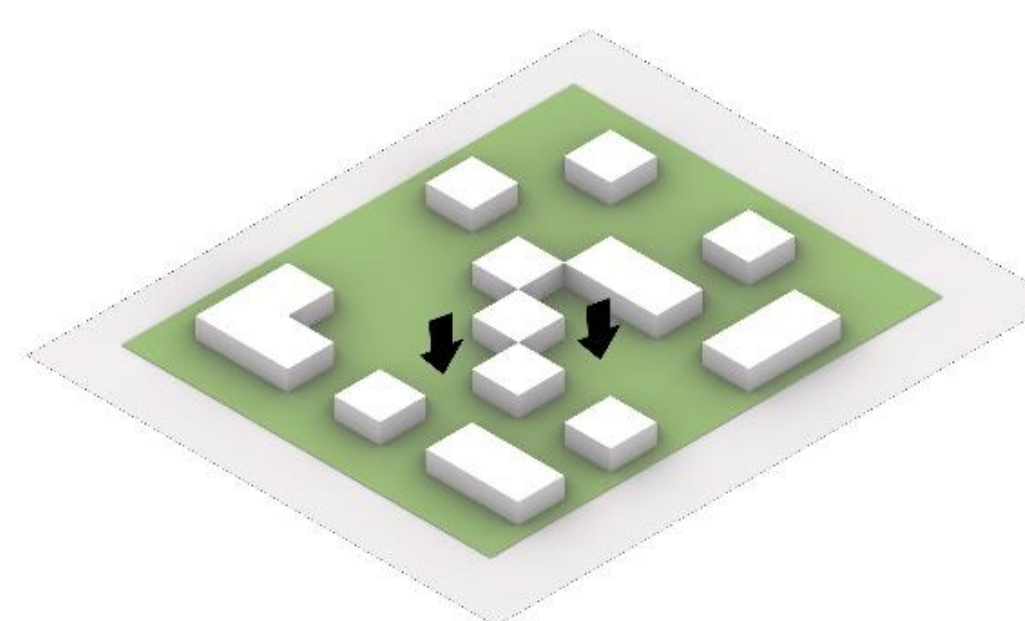
Extra curricular activity spaces like dance, music, workshop, etc rooms remain under-utilised and hence are made movable to join with classrooms to form extended learning spaces.



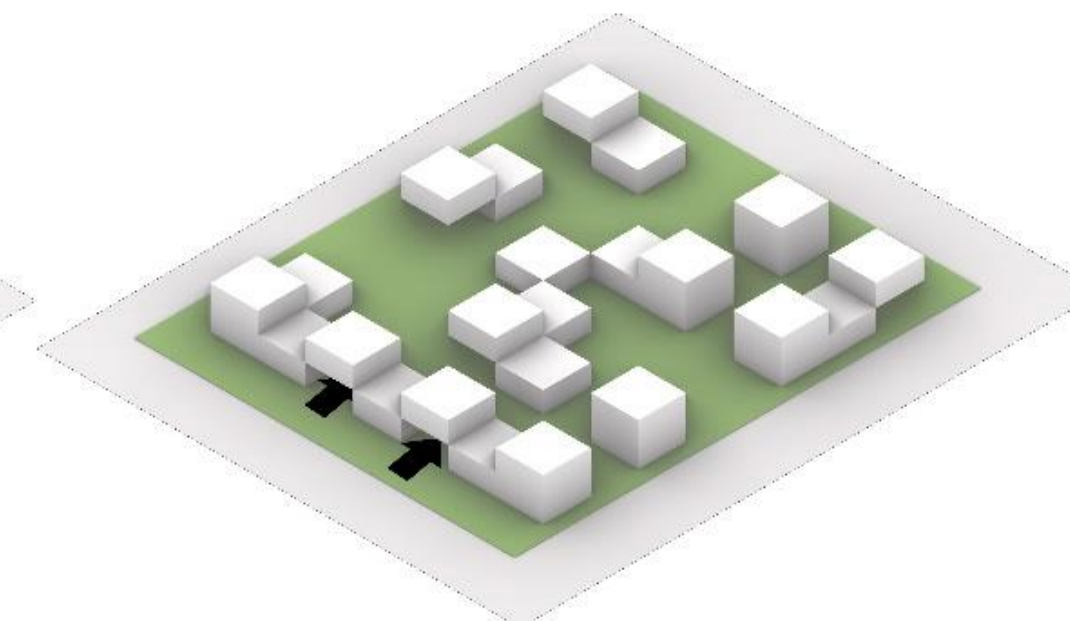
Solid mass was formed



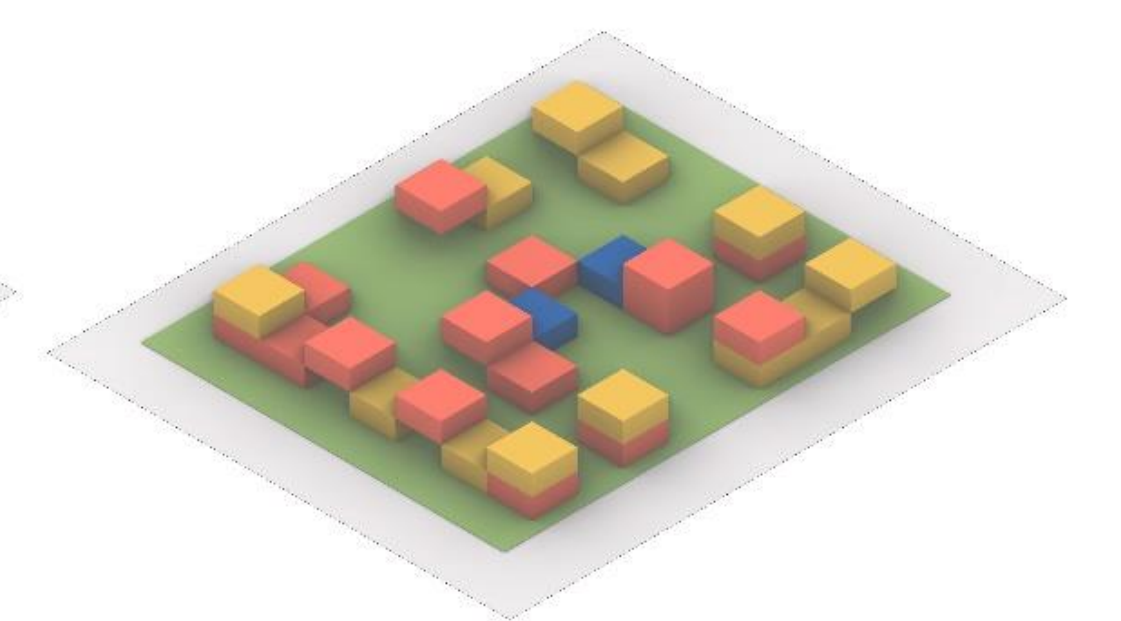
Punctures were made according to entry and exits on the periphery of the mass



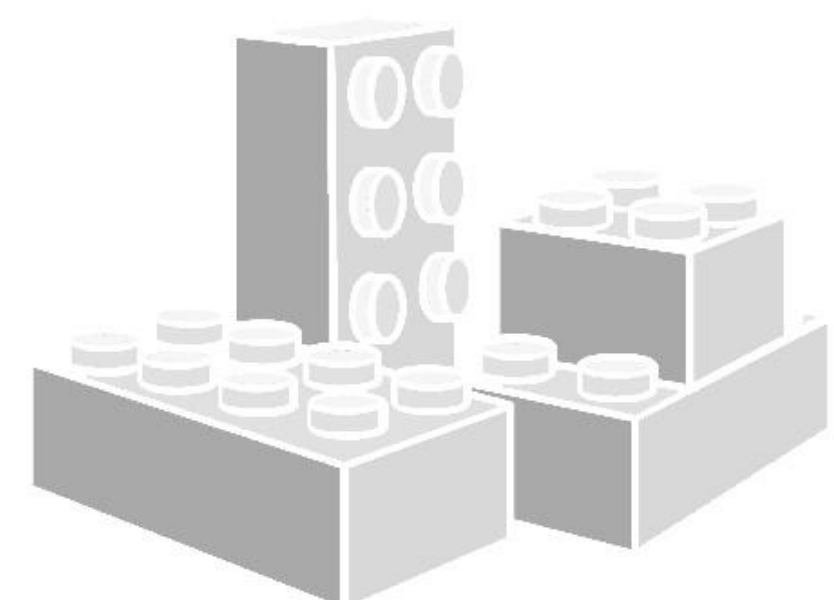
Mass was segregated and water bodies were added amidst the classrooms



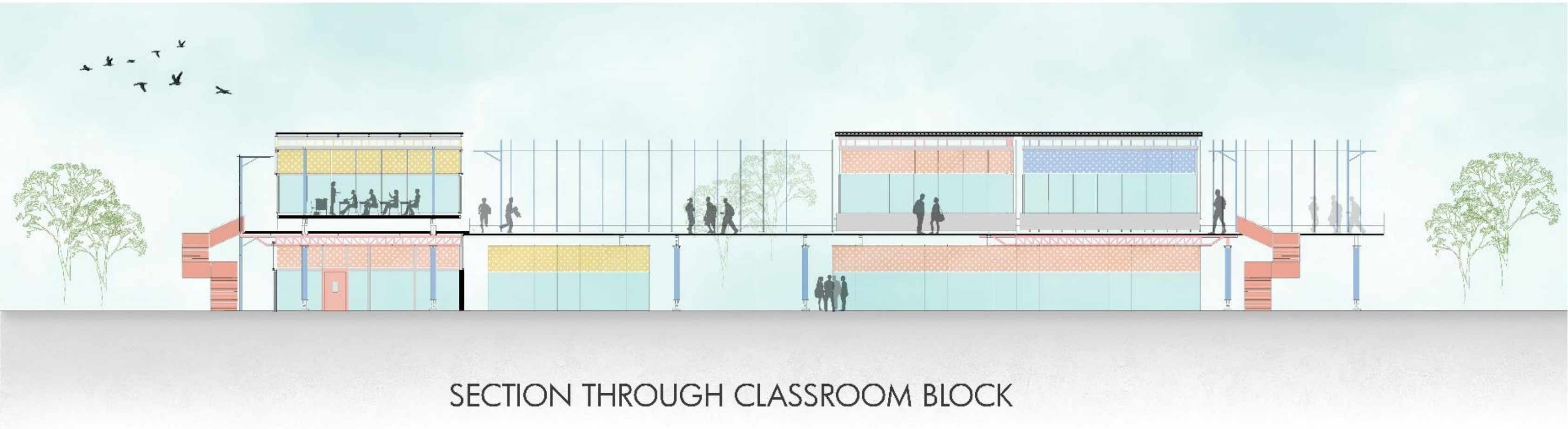
Masses were added to make interconnected floor plates between different classrooms and activity



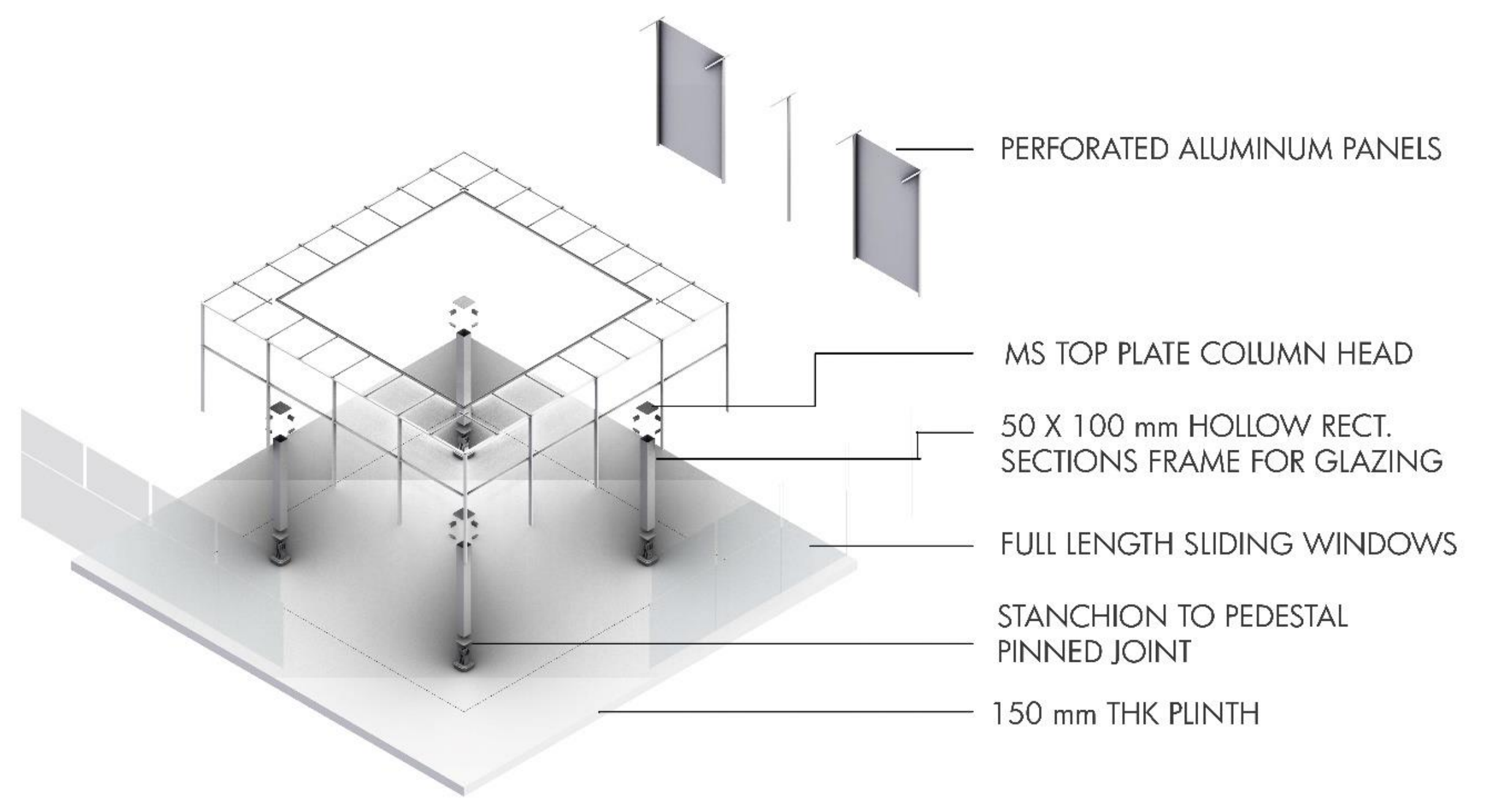
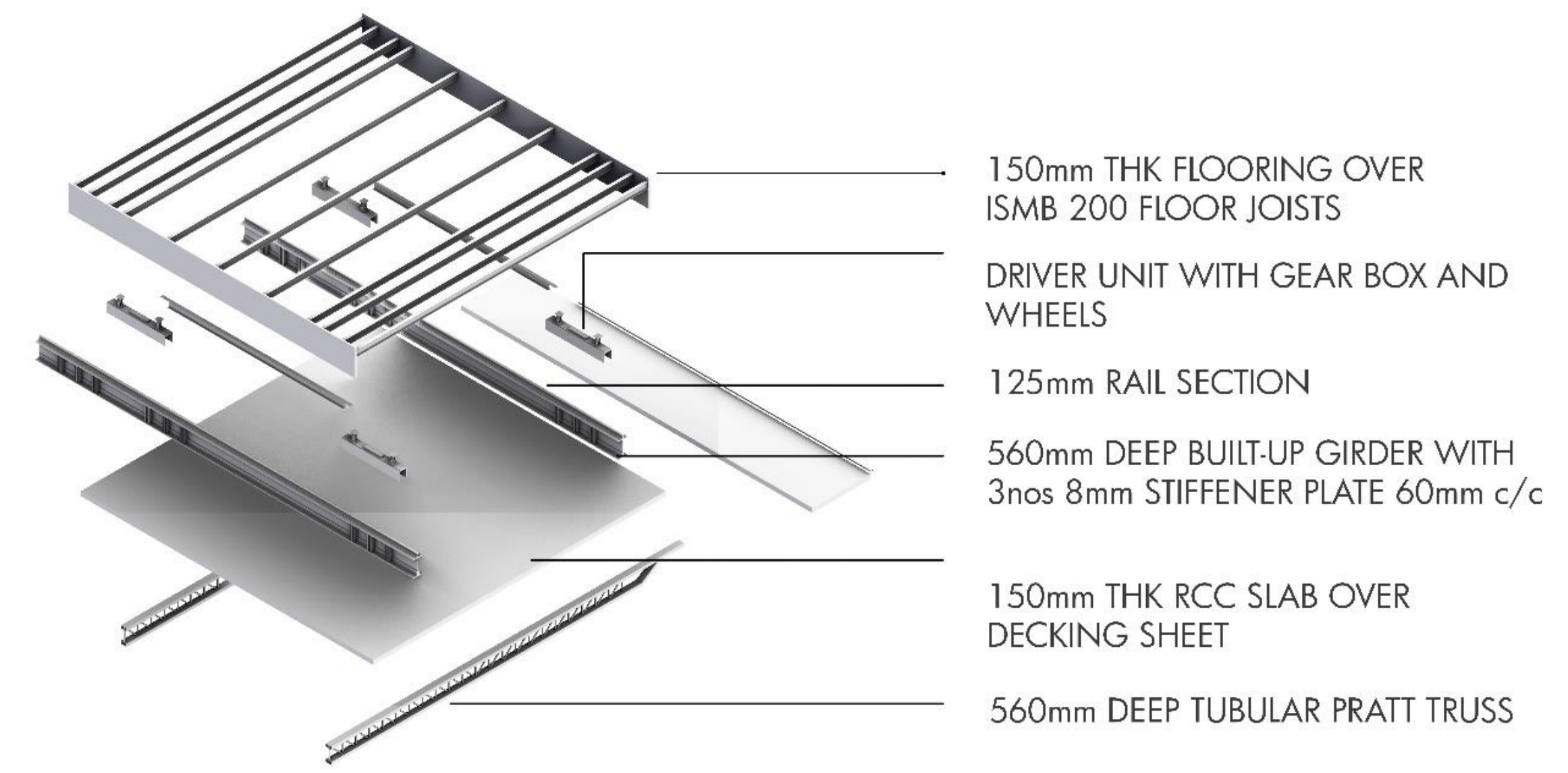
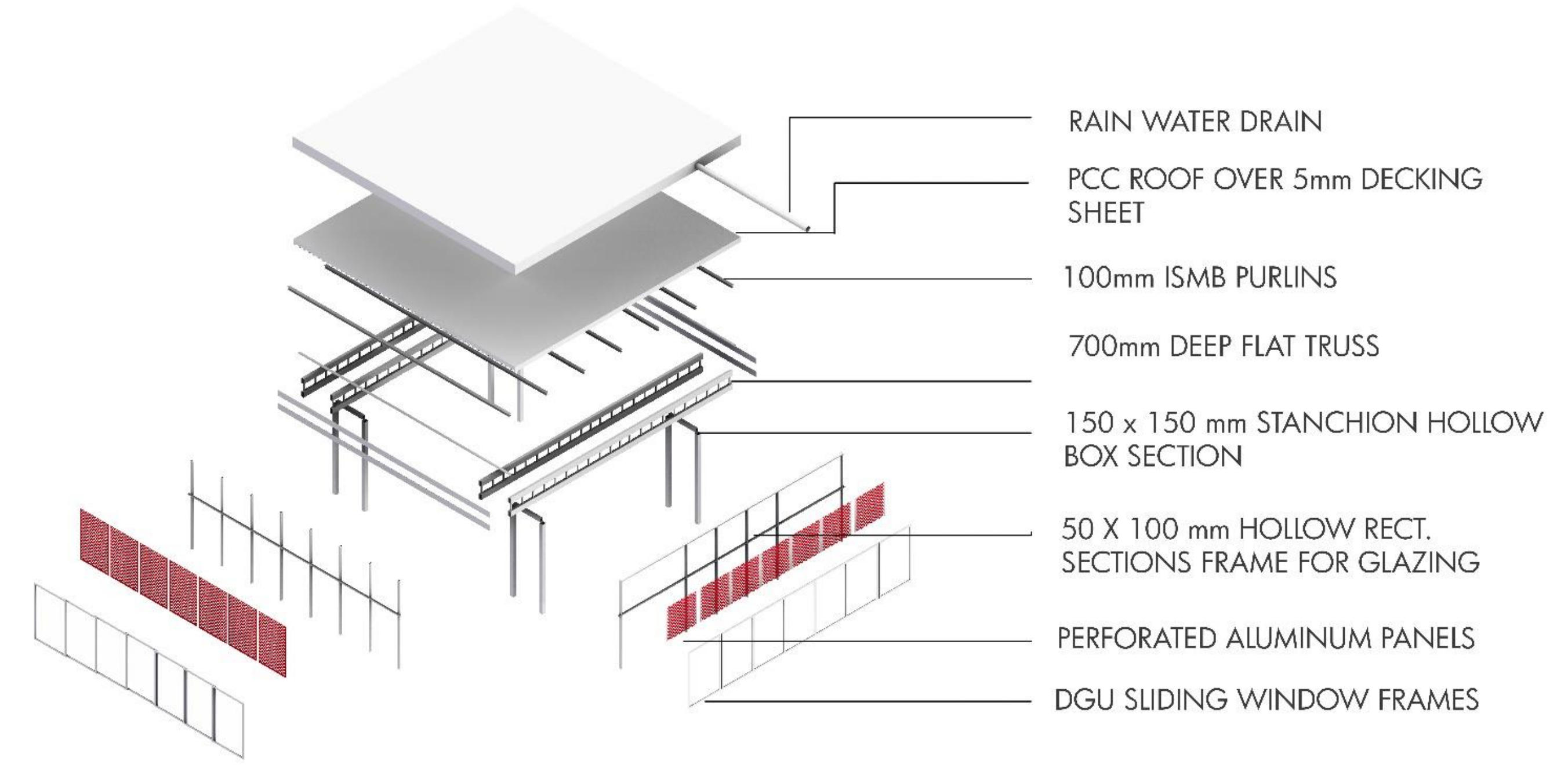
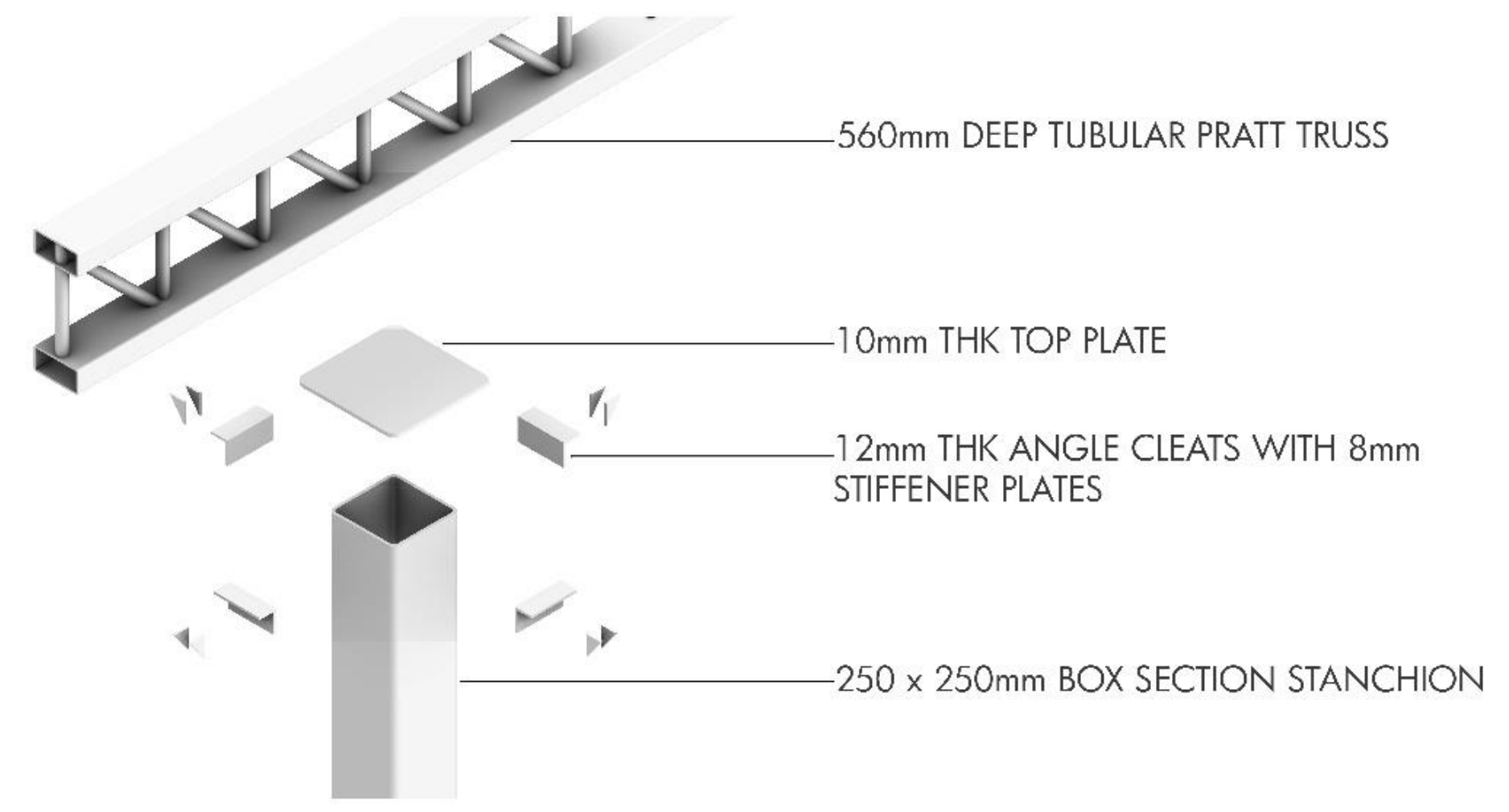
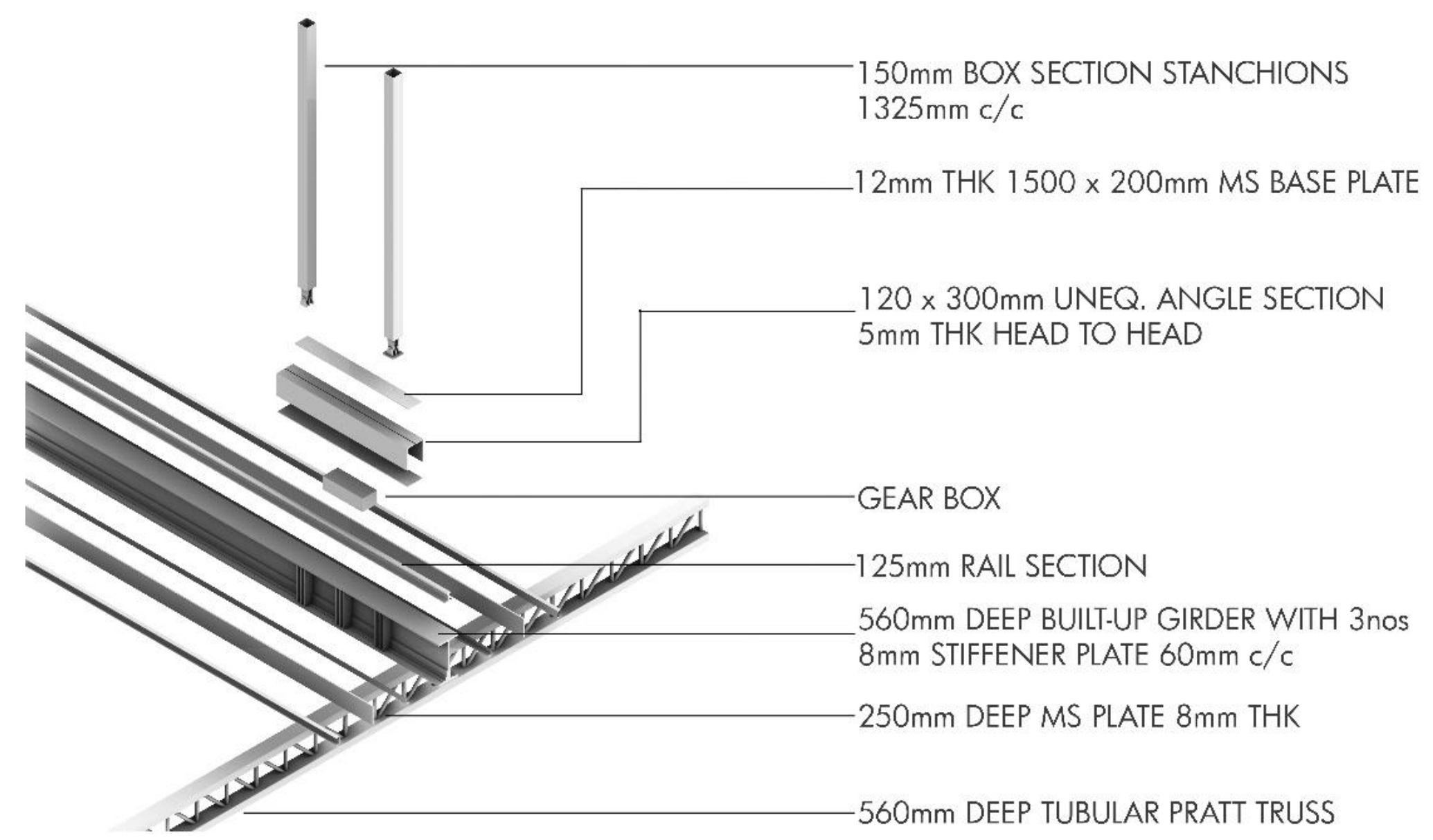
Classrooms
Activity spaces
Staff room & Washrooms



CLASSROOMS



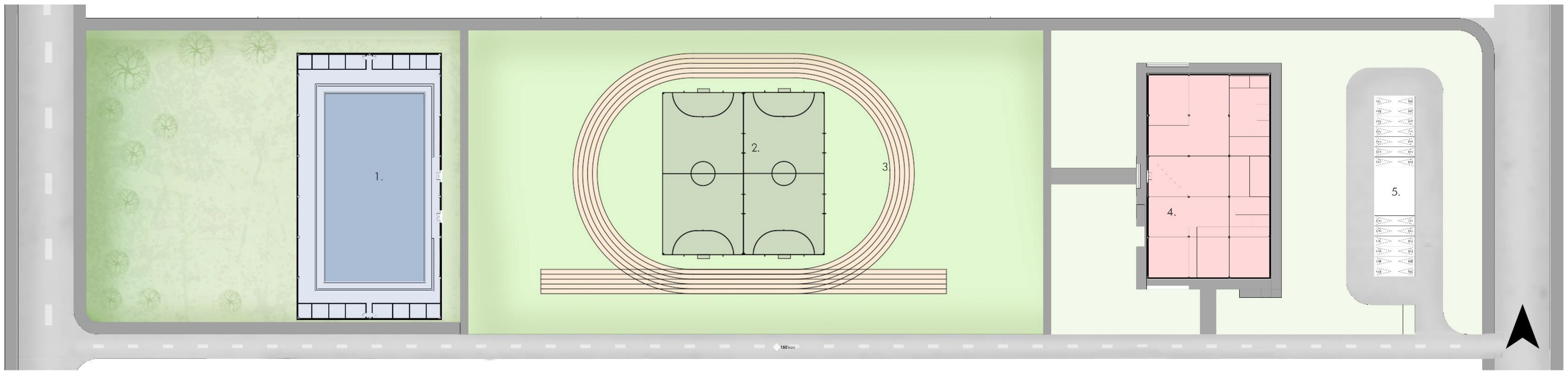
SECTION THROUGH CLASSROOM BLOCK



CLASSROOM DETAILS

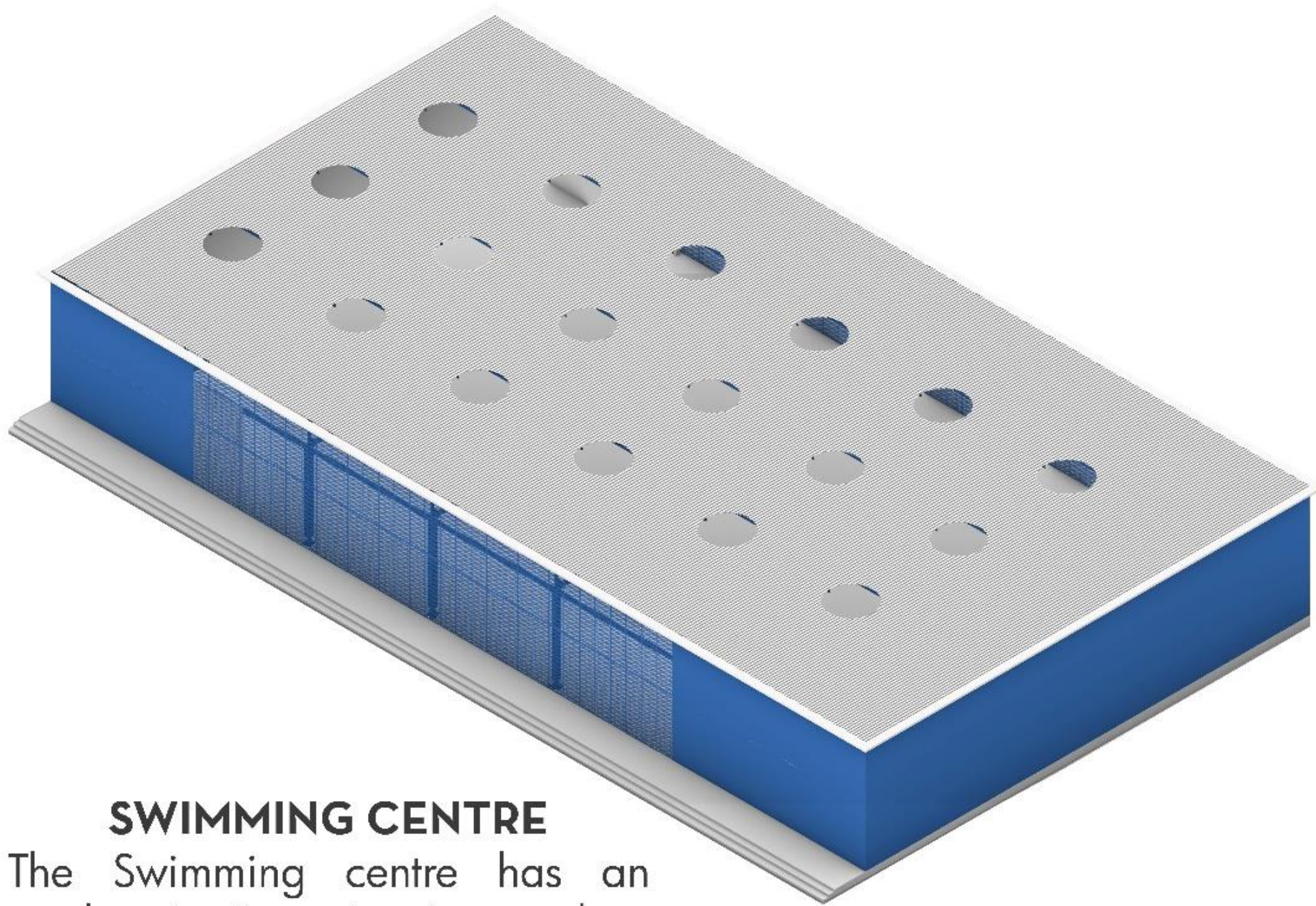


DETAIL : EXPLODED AXONOMETRIC

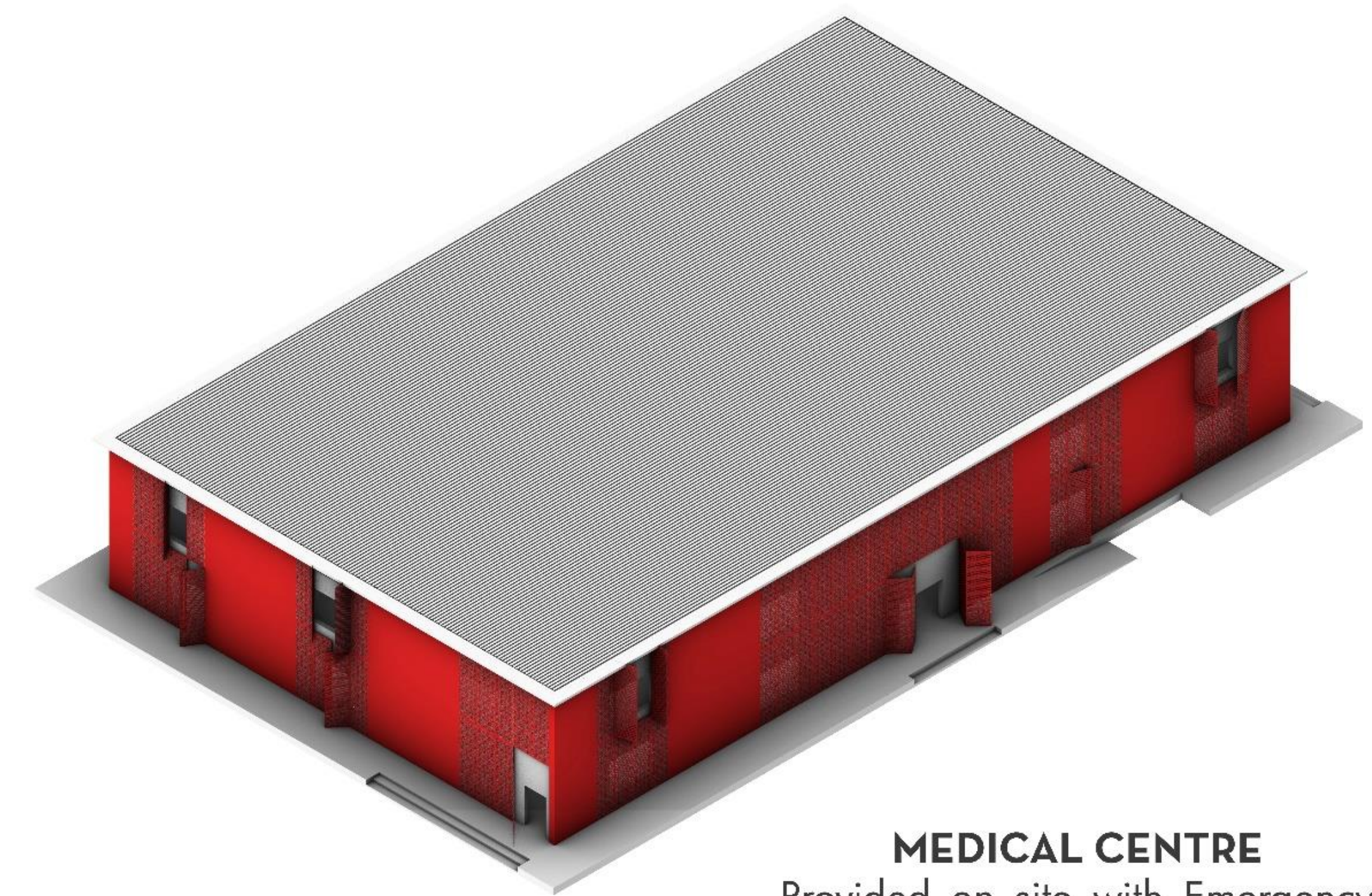


LEGEND

- 1. Swimming Pool
- 2. Football Ground
- 3. Athletic track
- 4. Medical centre
- 5. Parking



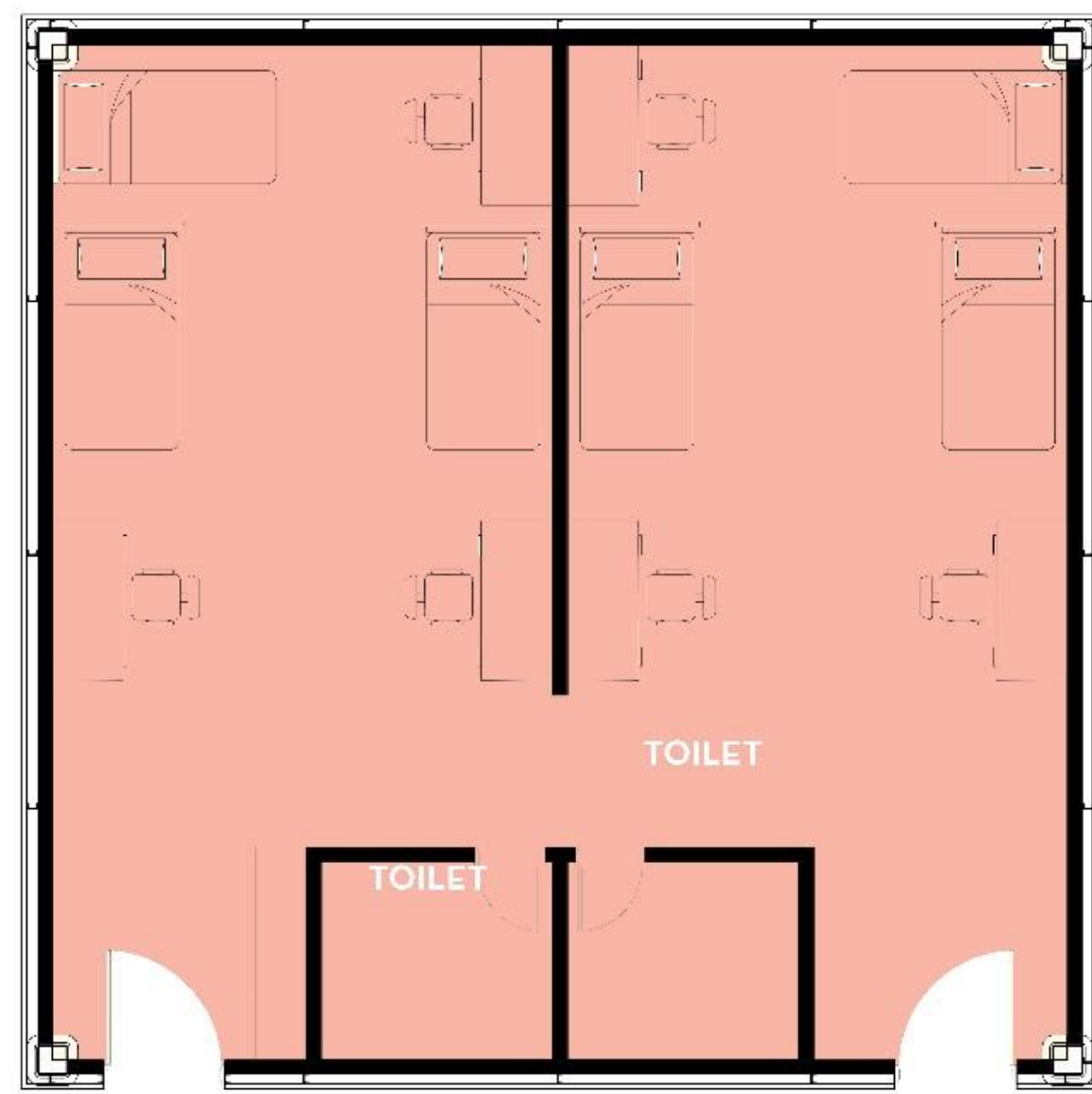
SWIMMING CENTRE
The Swimming centre has an olympic size swimming pool.



MEDICAL CENTRE
Provided on site with Emergency ward and ICU, in response to the current pandemic.

MEDICAL AND SWIMMING ZONE



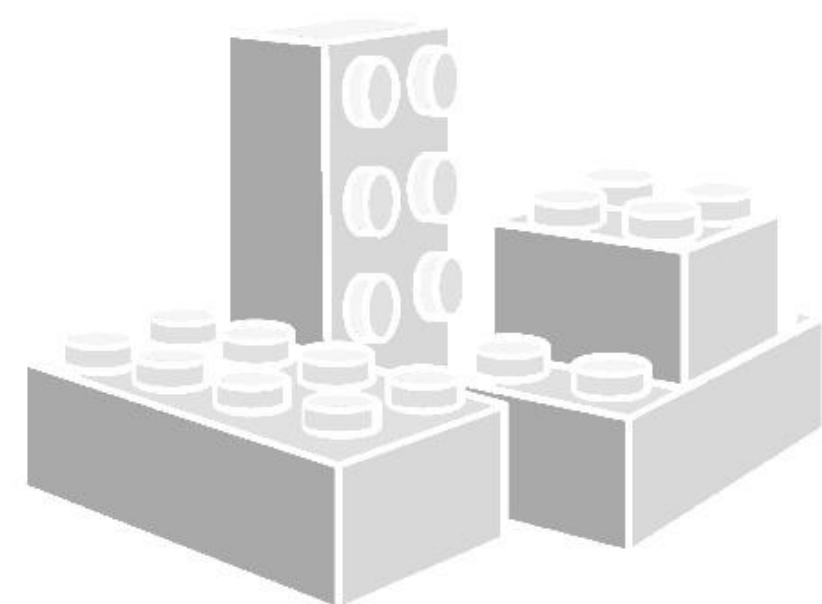


Student quarters as a room of 6 separated by a partition wall giving a secluded space for 3 students. Beds along with study table and storage ahs been provided. 2 washrooms have been provided for an accomadation of 6.

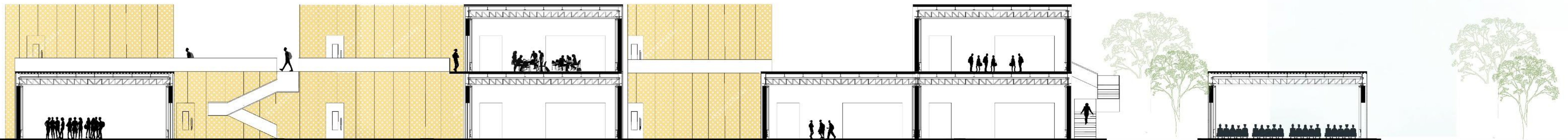


GROUND FLOOR PLAN

- LEGEND**
- 1. Staff quarters
 - 2. Student Quarters
 - 3. Courtyard spaces
 - 4. Parking



STUDENT QUARTERS

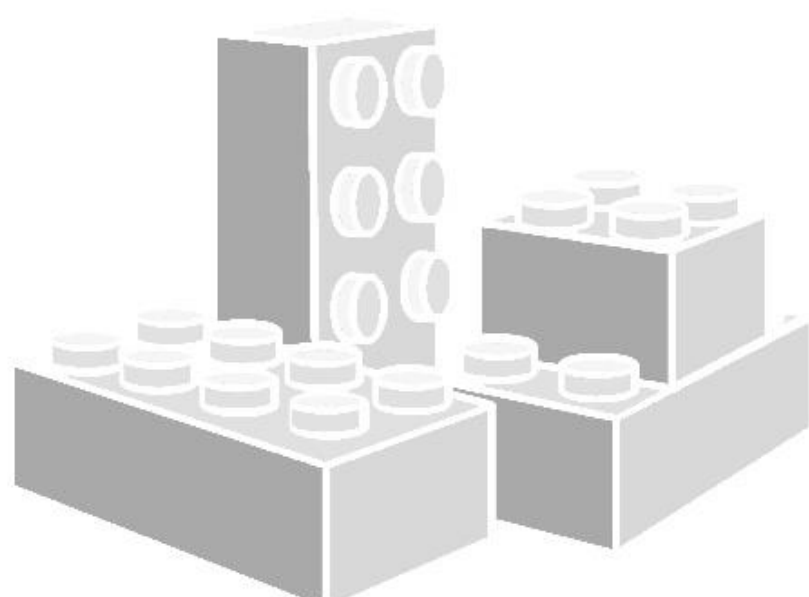
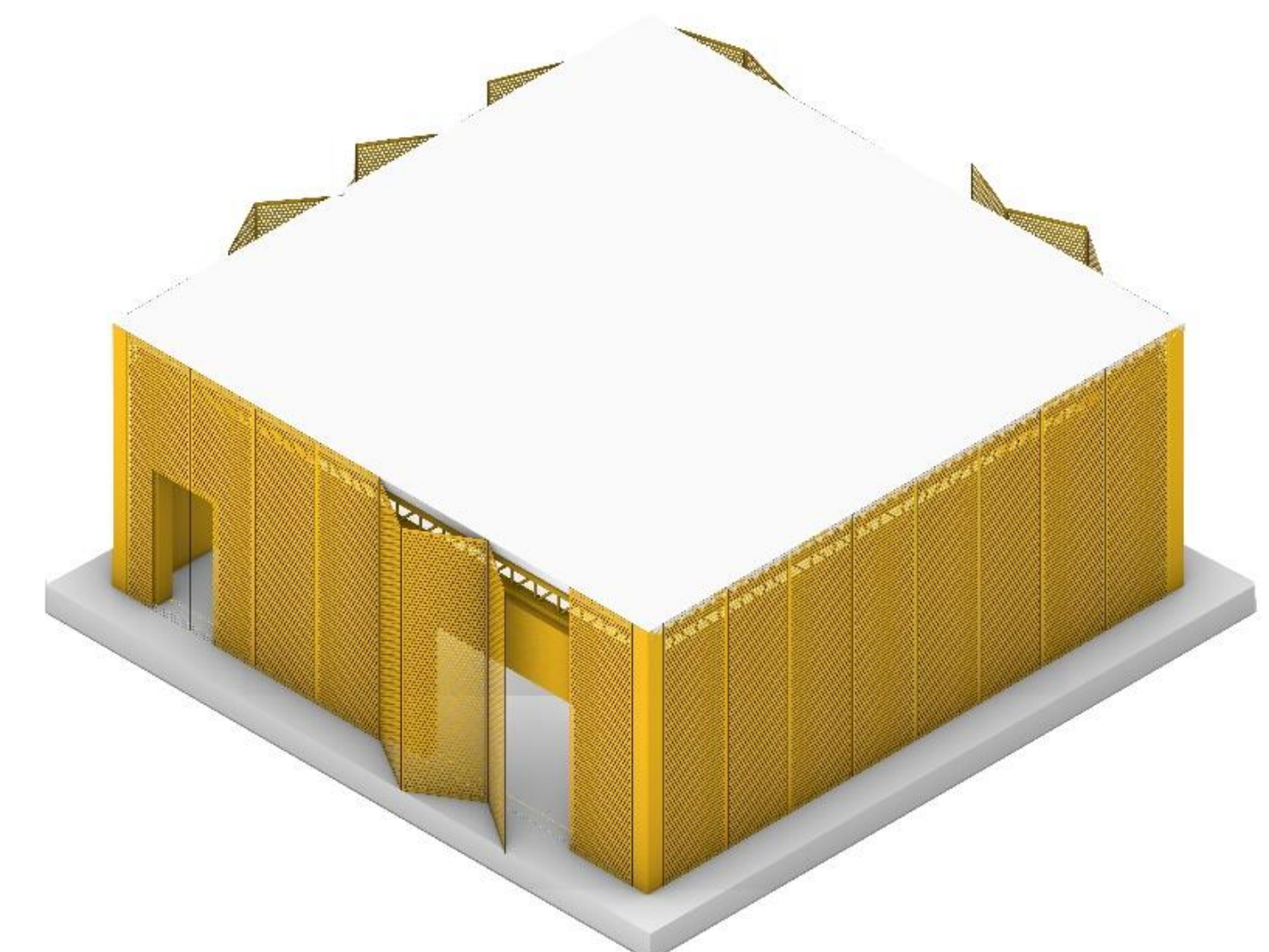


LEGEND

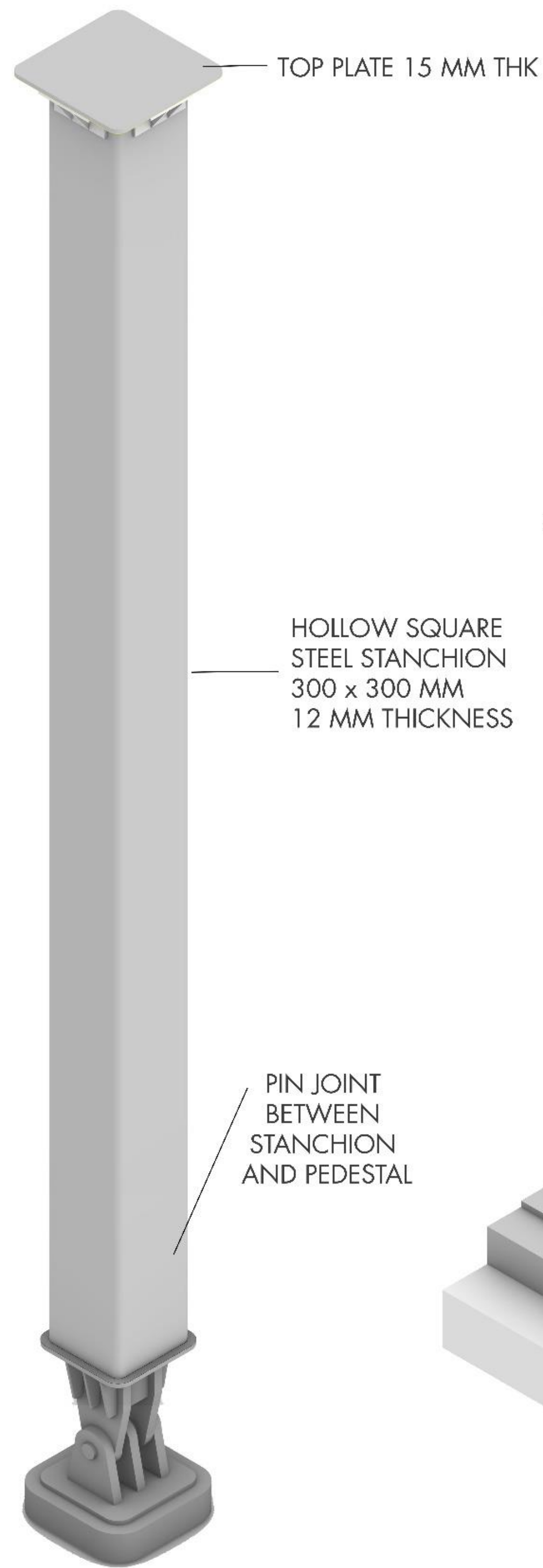
- 1. Staff quarters
- 2. Student Quarters
- 3. Courtyard spaces
- 4. Parking
- 5. Communal Study Spaces
- 6. Services and Wardens Room

40 staff quarters have been provided accomadation. Two bedroom along with two washrooms have been provided to accomodate the family of the staff and staff member.

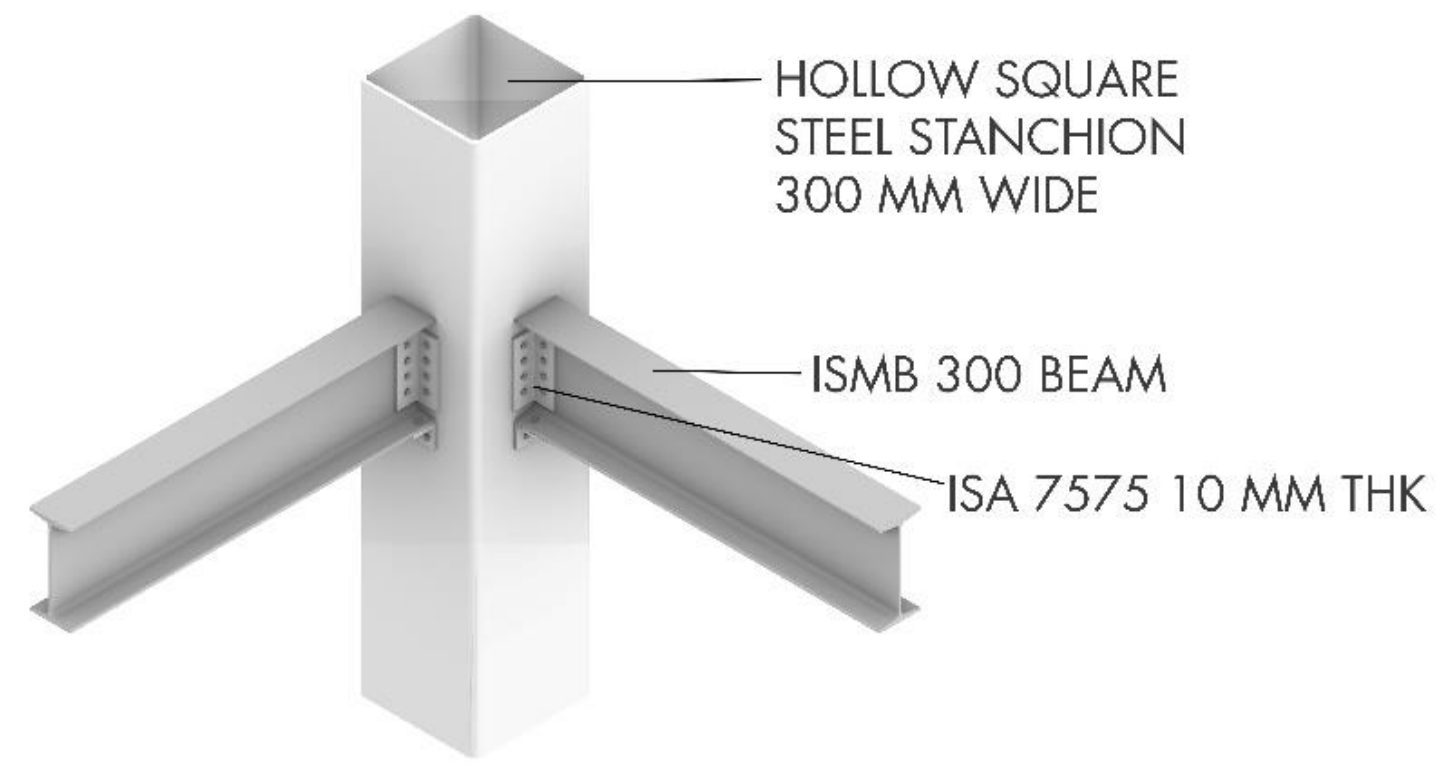
A general supply store has also been provided in the vicinty for their convenience.



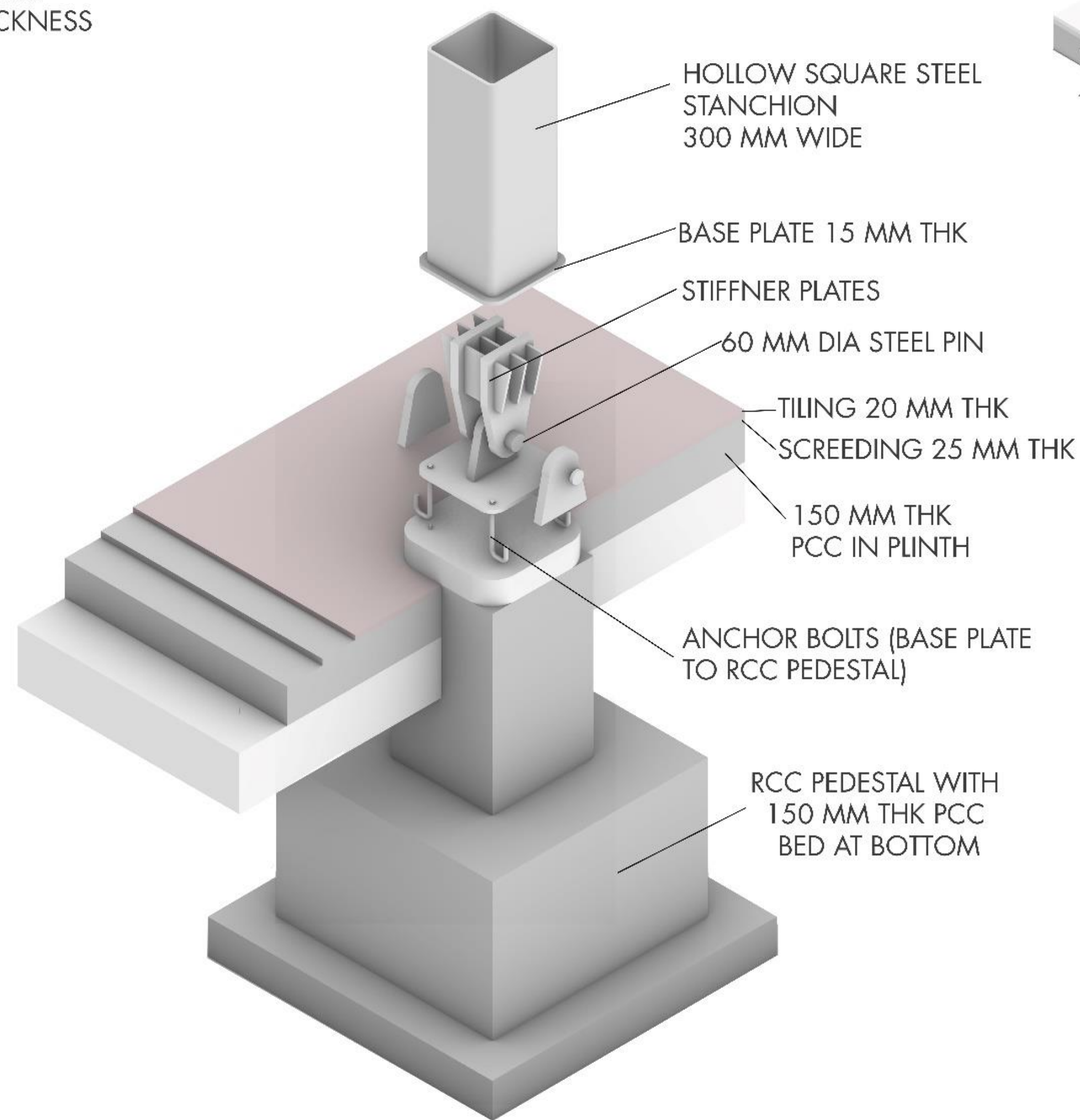
STAFF QUARTERS



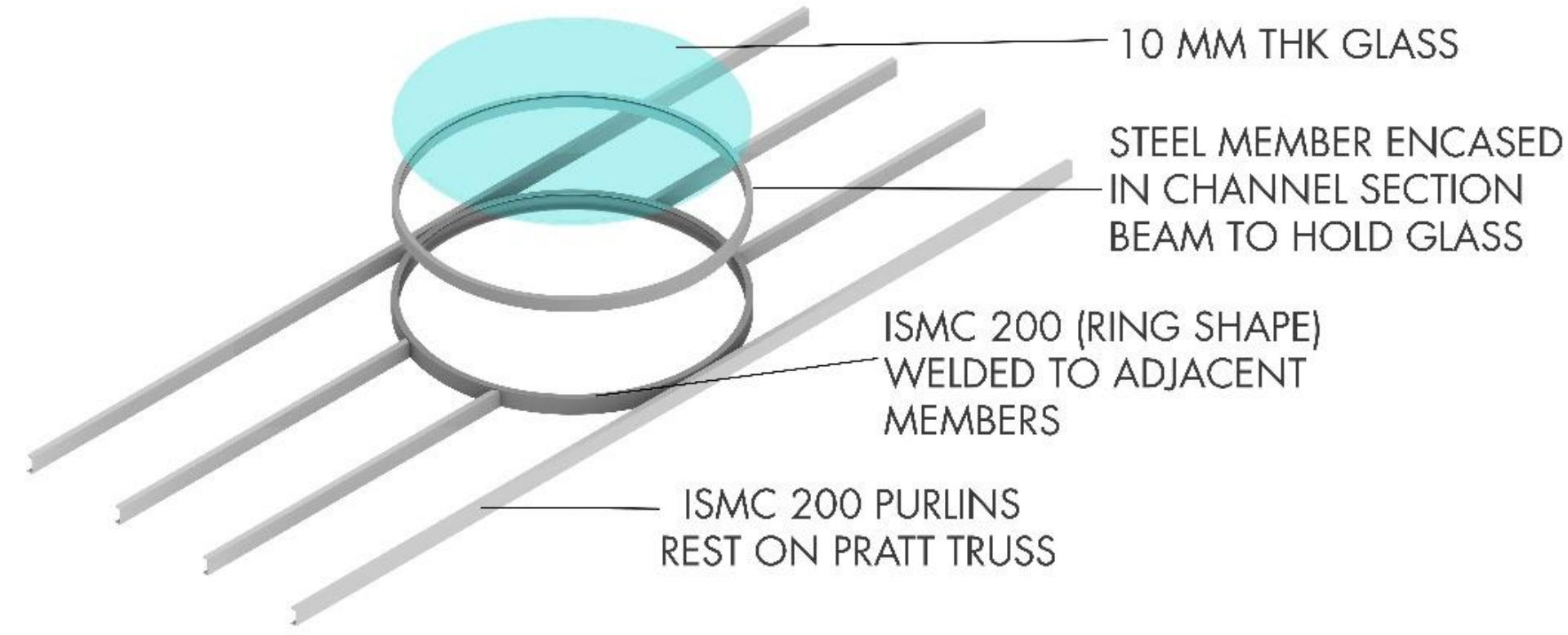
ISOMETRIC VIEW OF COLUMN WITH PINNED JOINT



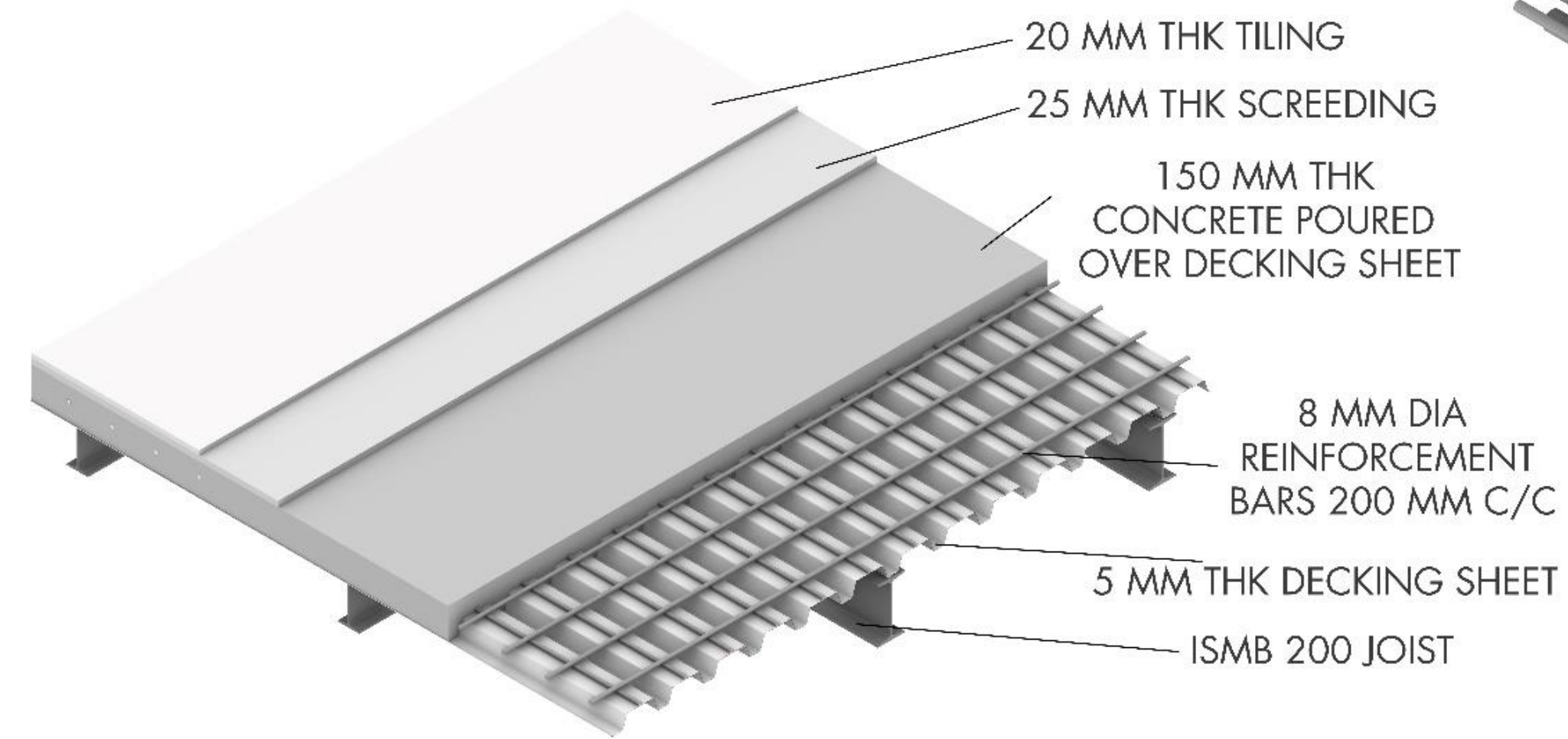
CONNECTION OF BEAM TO STANCHION



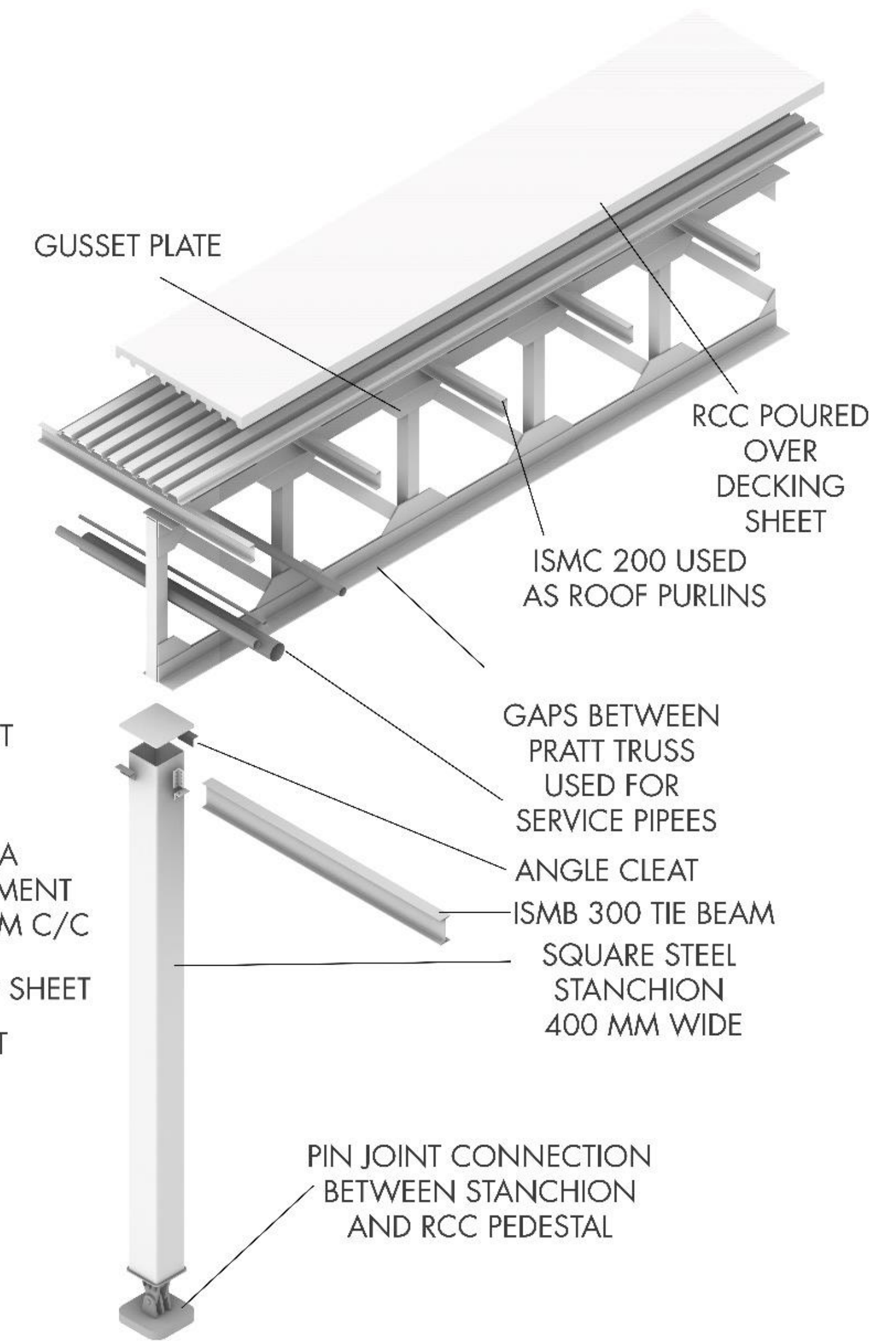
EXPLODED ISOMETRIC VIEW OF COLUMN PEDESTAL AND FLOORING



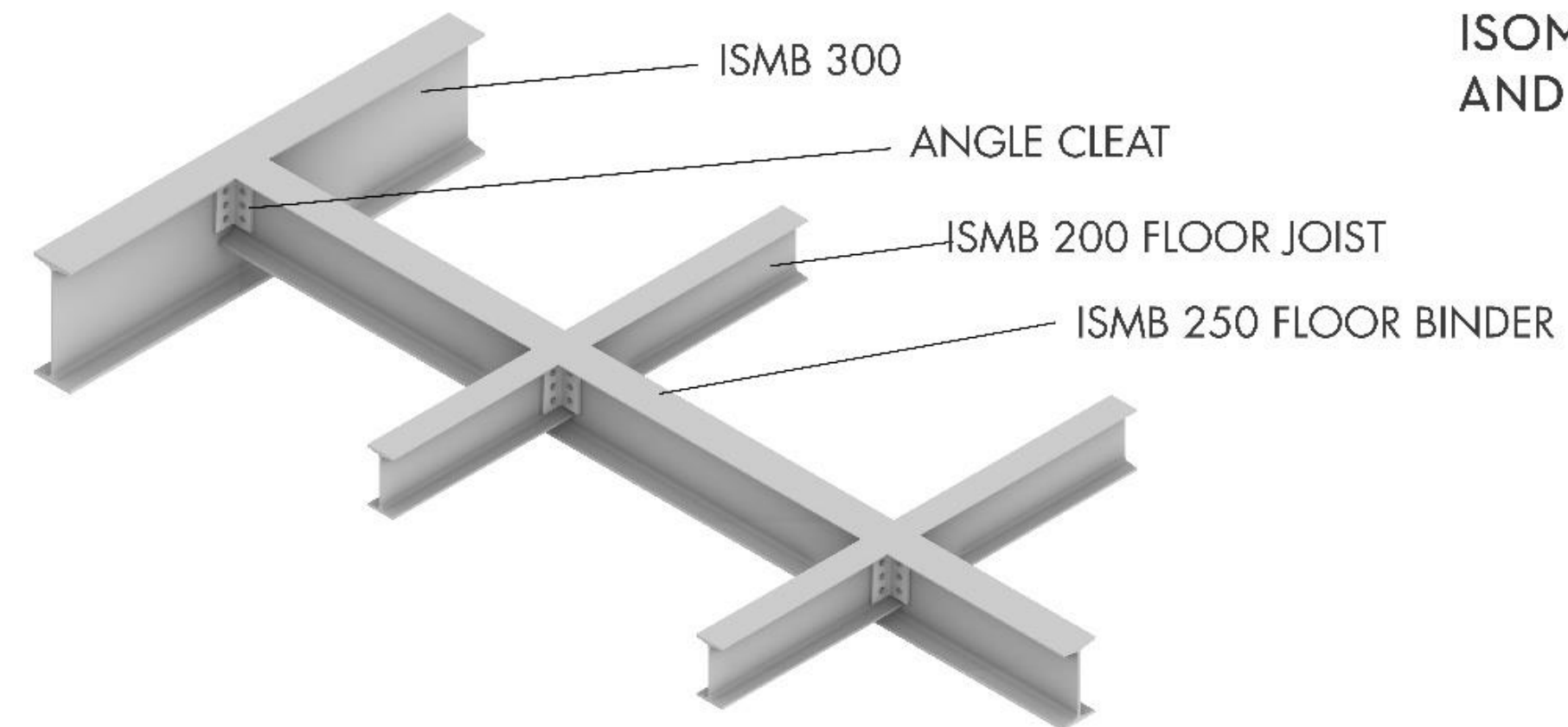
ISOMETRIC VIEW OF CIRCULAR SKYLIGHT



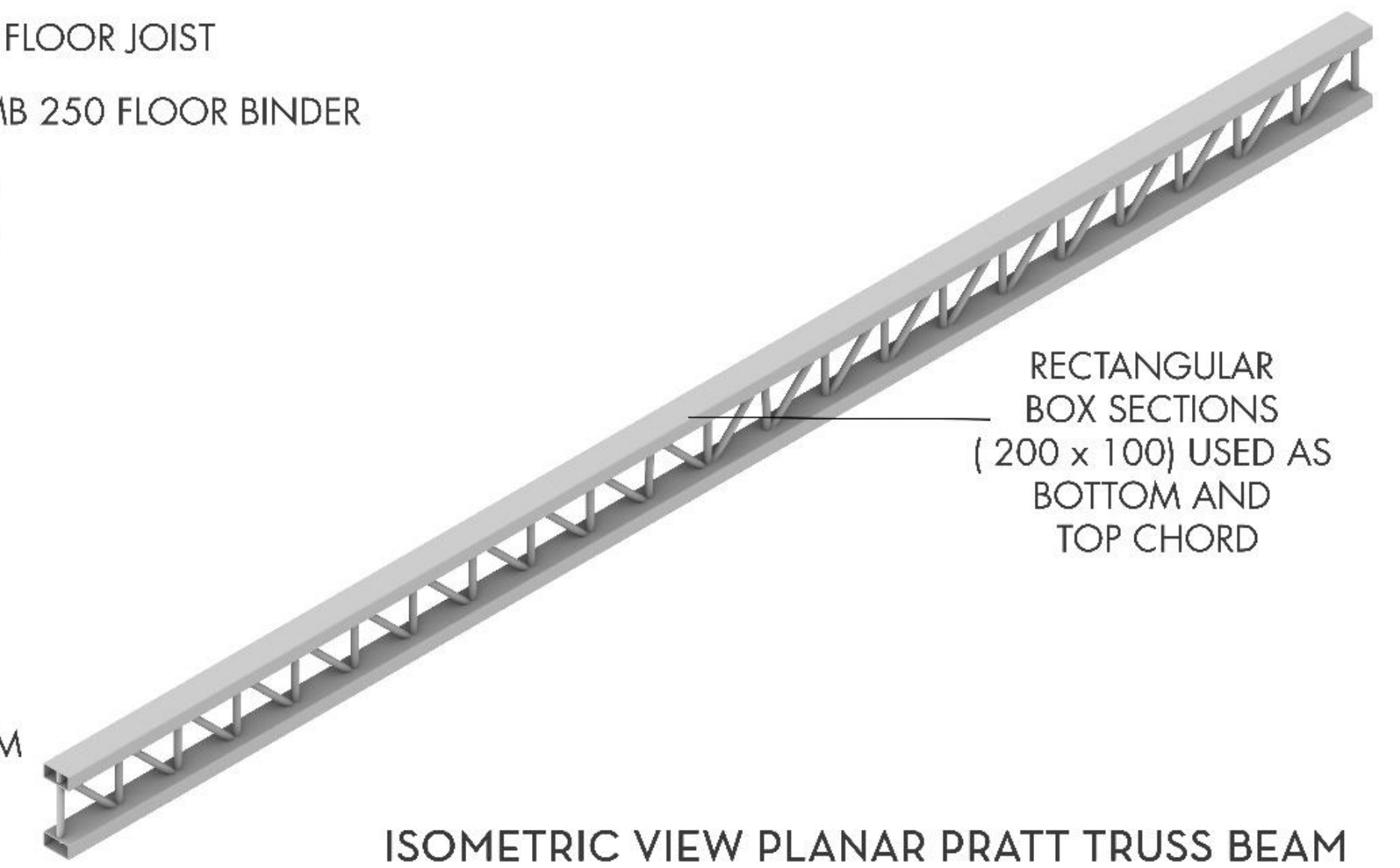
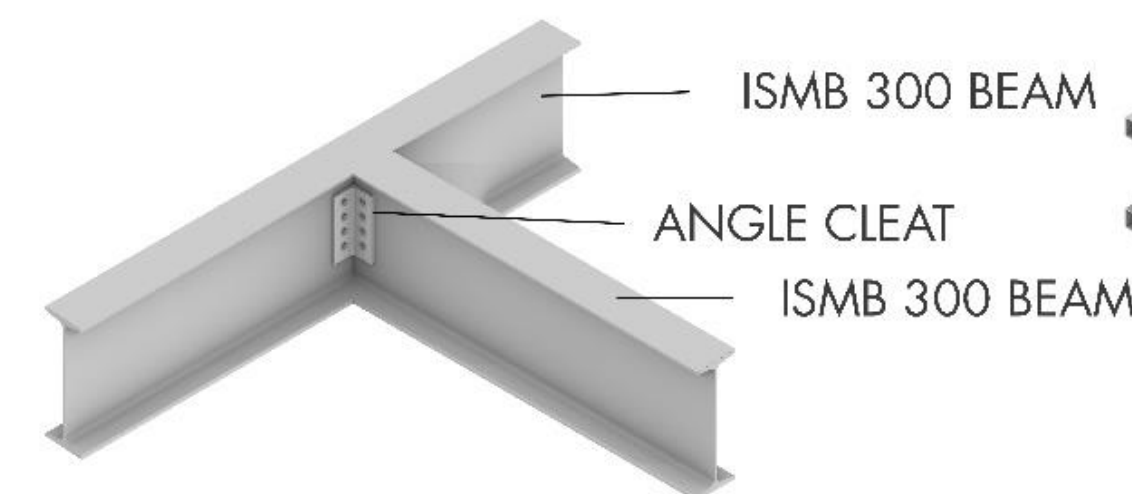
ISOMETRIC VIEW OF MEZZANINE FLOOR SLAB



ISOMETRIC VIEW OF PRATT TRUSS ; STANCHION AND ROOFING

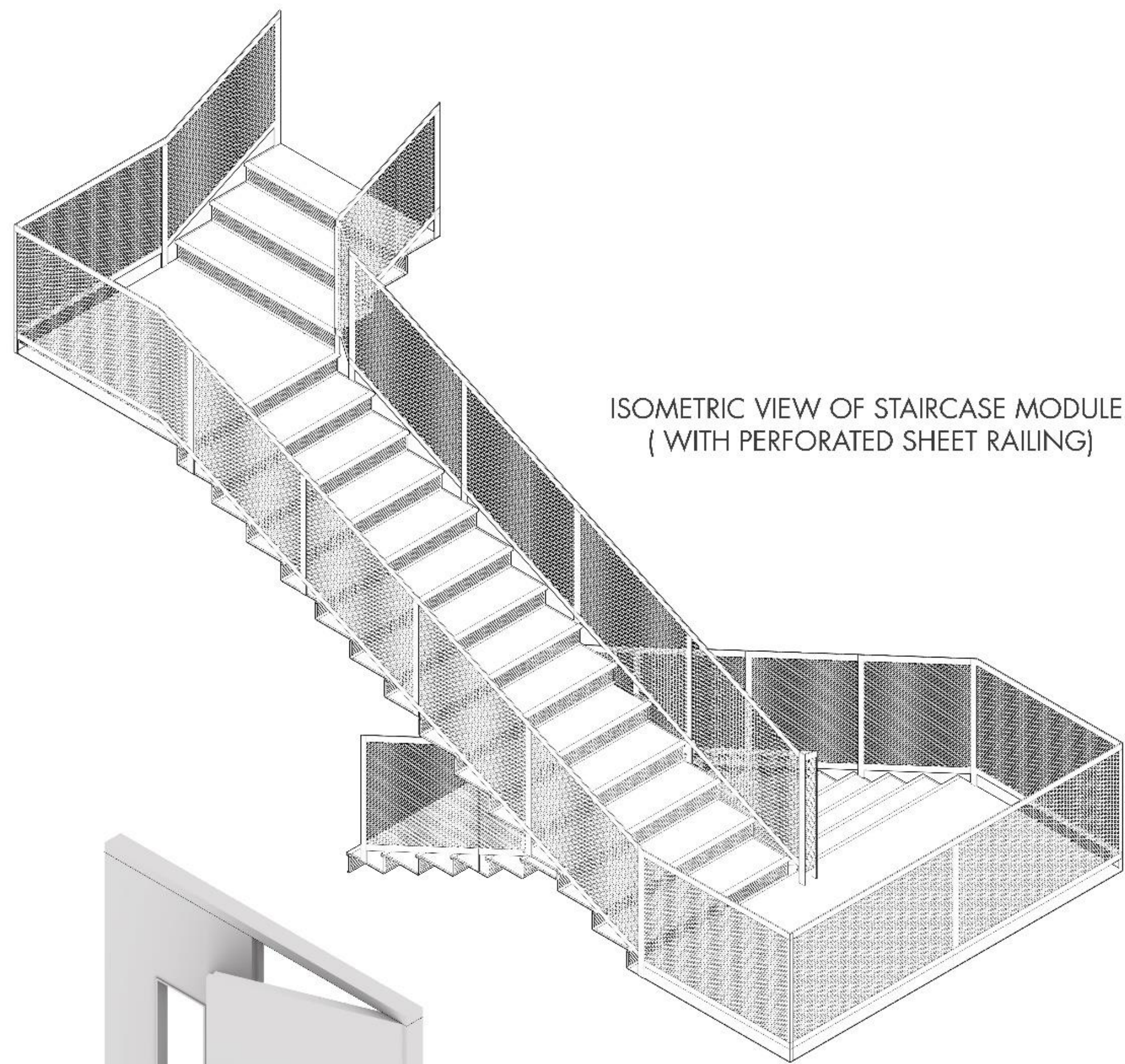


ISOMETRIC VIEW OF JOINERY BETWEEN JOISTS ; BINDERS



ISOMETRIC VIEW PLANAR PRATT TRUSS BEAM

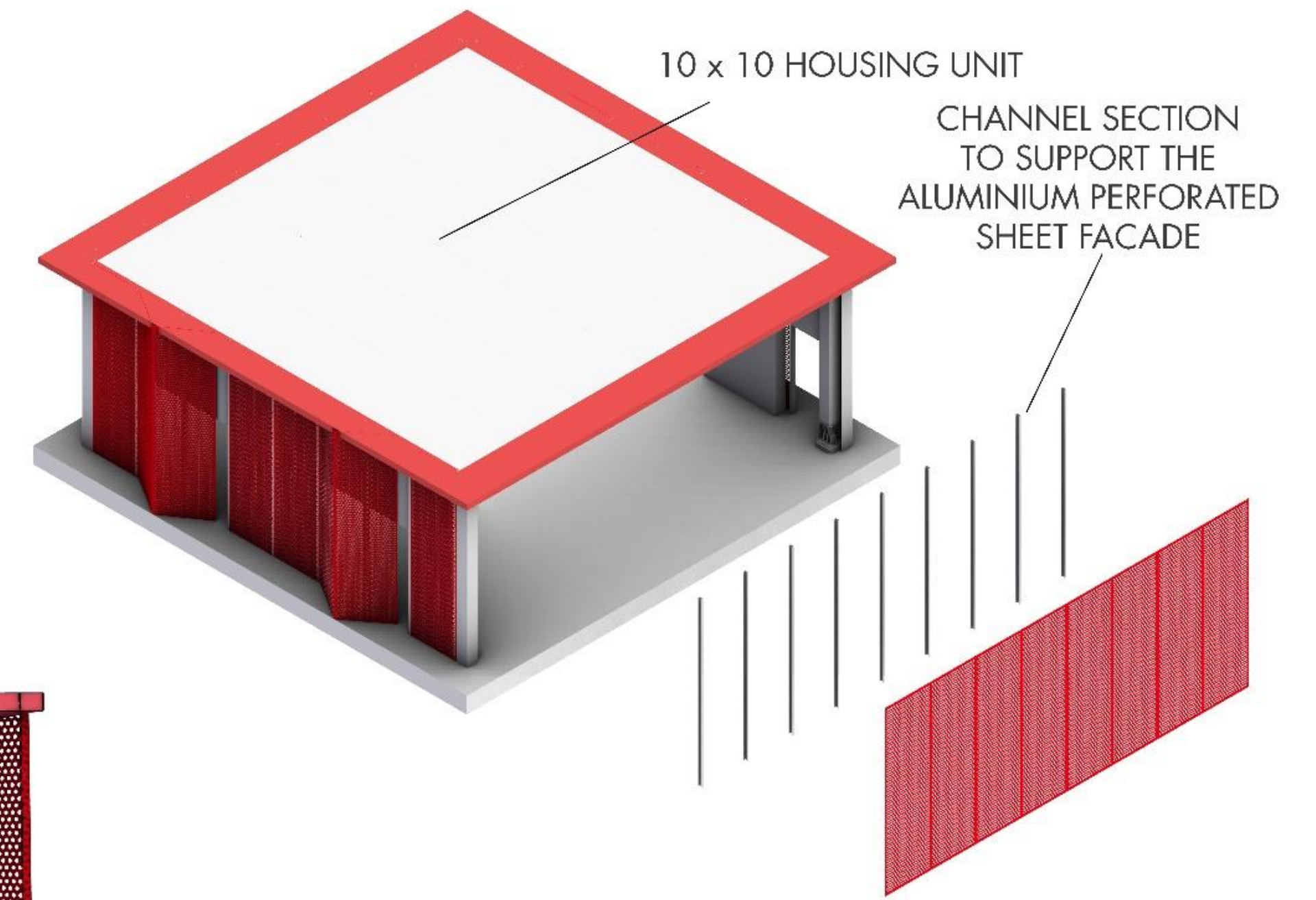
CONSTRUCTION DETAILS



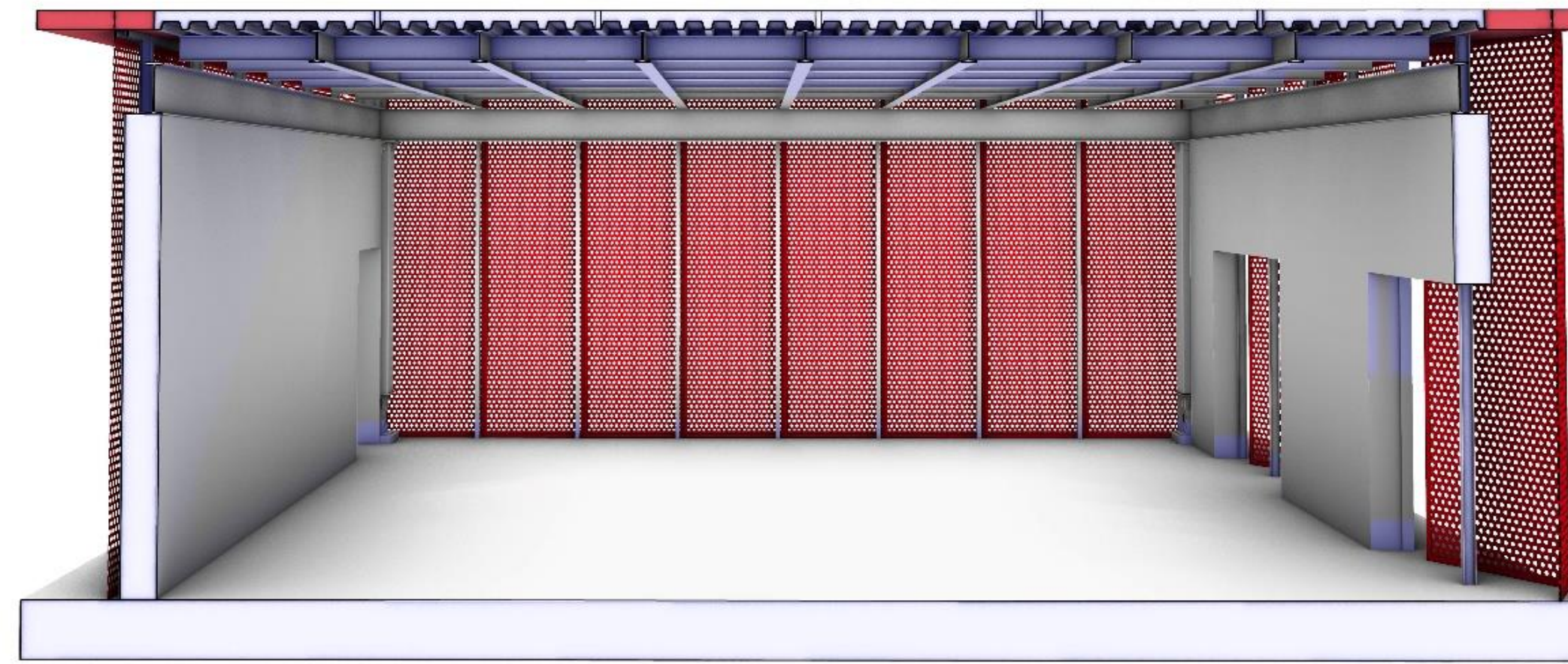
ISOMETRIC VIEW OF STAIRCASE MODULE
(WITH PERFORATED SHEET RAILING)



STEEL STEP : TREAD - RISER JOINERY DETAIL



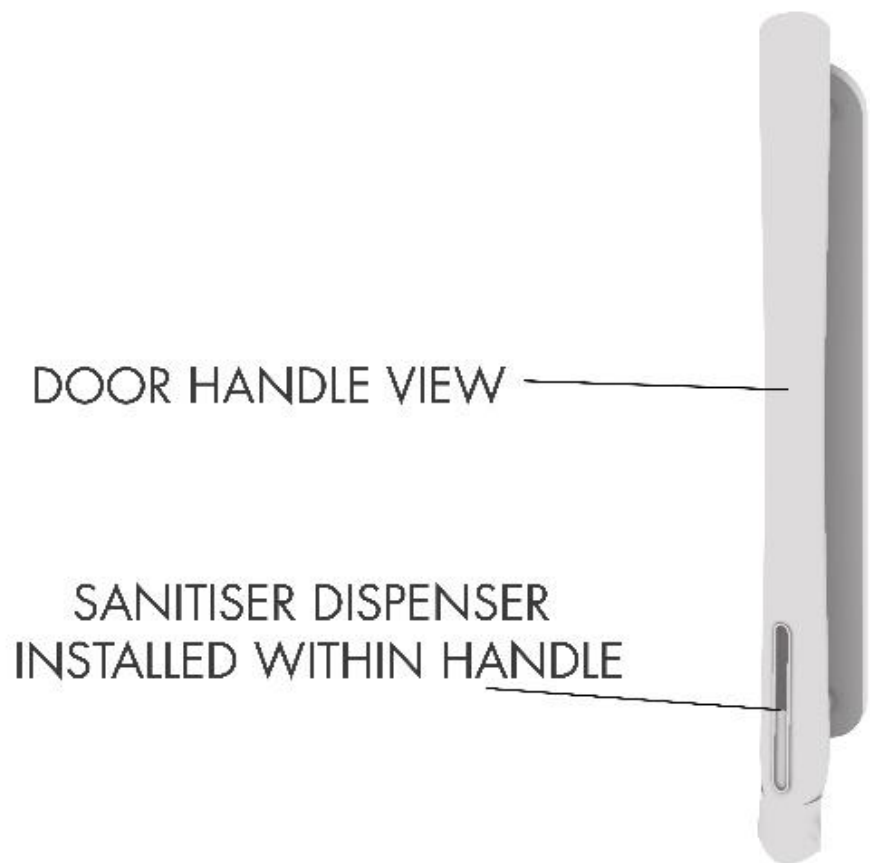
10 x 10 HOUSING UNIT
CHANNEL SECTION
TO SUPPORT THE
ALUMINIUM PERFORATED
SHEET FACADE



SECTIONAL PERSPECTIVE OF STAFF HOUSING UNIT SHOWING PERFORATED ALUMINIUM FACADE

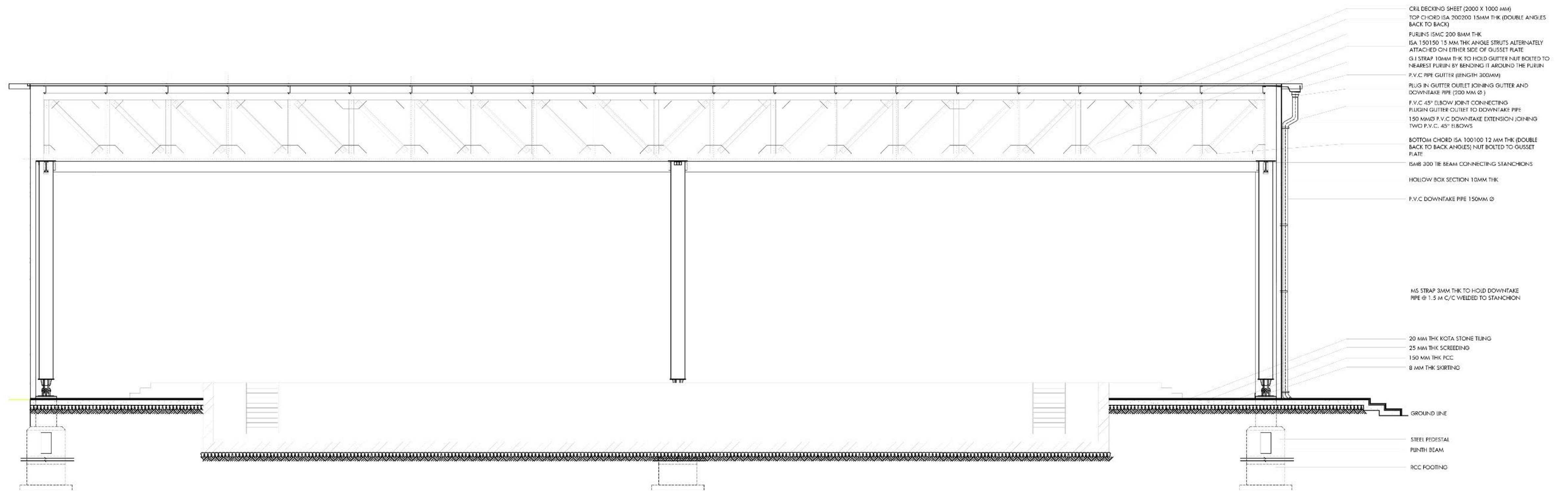


COVID RESPONSIVE DOOR MODULE



DOOR HANDLE VIEW

SANITISER DISPENSER
INSTALLED WITHIN HANDLE



END WALL SECTION THROUGH SWIMMING POOL AREA

- CR18 DECKING SHEET (2000 X 1000 MM)
- TOP CHORD ISA 200/200 15MM THK (DOUBLE ANGLES BACK TO BACK)
- FURLINS ISMC 200 8MM THK
- ISA 150/150 13 MM THK ANGLE STRUTS ALTERNATELY ATTACHED ON EITHER SIDE OF GUSSET PLATE
- G1 STRAP 10MM THK TO HOLD GUTTER NUT BOLTED TO NEAREST FURLIN BY BENDING IT AROUND THE FURLIN
- P.V.C PIPE GUTTER (LENGTH 300MM)
- PLUG IN GUTTER OUTLET JOINING GUTTER AND DOWN TAKE PIPE (200 MM Ø)
- P.V.C 45° ELBOW JOINT CONNECTING PLUG IN GUTTER OUTLET TO DOWN TAKE PIPE
- 150 MM Ø P.V.C DOWN TAKE EXTENSION JOINING TO 150 P.V.C 45° ELBOWS
- BOTTOM CHORD ISA 100/100 13 MM THK (DOUBLE BACK TO BACK ANGLES) NUT BOLTED TO GUSSET PLATE
- ISMB 300 TB BEAM CONNECTING STANCHIONS
- HOLLOW BOX SECTION 10MM THK
- P.V.C DOWN TAKE PIPE 150MM Ø
- M5 STRAP 3MM THK TO HOLD DOWN TAKE PIPE @ 1.5 M C/C WELDED TO STANCHION
- 20 MM THK KOTA STONE TILING
- 25 MM THK SCREEDING
- 150 MM THK PCC
- 8 MM THK SKIRTING
- GROUND LINE
- STEEL PROFILED FINISH BEAM
- RCC FOOTING

CONSTRUCTION DETAILS